



TMS LITE SDN. BHD. (Co. No. 671971V)
LED ILLUMINATION SOLUTION PARTNER



STX-1000-A2
(CONSTANT AND TRIGGER MODE)

USER MANUAL
Rev 1.0

Contents

General Description.....	1
Specification of STX-1000-A2.....	1
Specification of Adaptor 24VDC	1
Panel Label / Connection Description	2
Front & Rear Panel:.....	2
Side Top & Side Rear :.....	3
STX-1000-A2 Operation Mode.....	4
Power ON.....	4
Operation Mode.....	4
Constant Mode	4
Trigger Mode.....	4
Precautions	5
Dimension Layout	6
Schematic STX-1000-A2	6
Accessories	8
Power Cord Information.....	9

Revision Notes

Rev	Date/Author	Comment
1.0	KWNG	First Release

General Description

Introduction

The STX-1000-A2 controller provides analog intensity control of LED lighting for machine vision applications. The STX-1000-A2 provides single channel output, with High current output selection (5A/9A) and selectable mode: Constant & Strobe.

Front Panel



Specification of STX-1000-A2

Power	Controller Supply Voltage	24 VDC
	Lighting Output	24 VDC
	Input Current	Min 9.2A
	Output current	Selectable maximum current 5A or 9A
Function	No. of Channel	1
	Intensity Control	VR Adjustable
	Intensity Range	1 ~ 10 steps
	Selectable Mode	Constant & Strobe
	Current Output Selection	5000mA or 9000mA
	Trigger Input Voltage	5 VDC – 24 VDC

Specification of Adaptor 24VDC

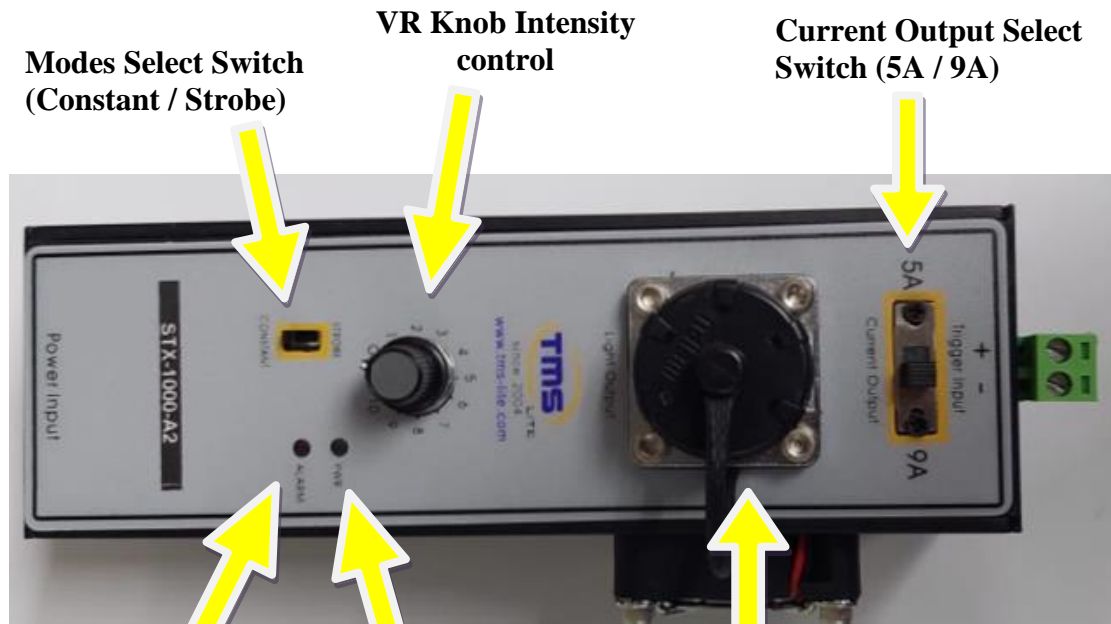
Input Power Supply	Input Power rating	100V - 240V AC, 50/60 Hz, 4.0A
	Output Power rating	24VDC, 9.20A

Remark:

- The intensity of light is affected by the length of the lighting cable.
- Output Current Tolerances +/- 10%

Panel Label / Connection Description

Front & Rear Panel:



Overheat Alarm LED (RED)

Power LED (Green)

WS20M Connector Light Output

Pin	Description
1	Light Output +
2	N/A
3	Light Output -
4	N/A



Dinrail Mounting

Side Top & Side Rear :



Input Trigger Signal

Pin	Description
1	Trigger +
2	Trigger -



**Power Input 24VDC
(R7B Connector)**

STX-1000-A2 Operation Mode

Power ON

The maximum output current setting for the controller is either 5A or 9A. The current setting is selectable by a slide switch on the front panel of the unit. Position the Current Select Switch at 5A will set the maximum output current to 5 Amps. Position the Current Select Switch at 9A will set the maximum output current to 9 Amps.

Please make sure only 24V LED Lighting is connected to Lighting Output connector before power on the unit.

Connect a power cord cable to 100V - 240V AC supply line to the Adaptor chassis plug and plug the R7B header to controller for supply DC voltage to controller, PWR Led Green will Light "ON" when is Power Up.

Operation Mode

There are two functional modes for STX-1000-A2:

- Constant Mode
- Trigger Mode

Constant Mode

The unit will operate in Constant Mode when the slide switch is set at "CONSTANT" position (Label CONSTANT). The unit has constant mode intensity from 1 to 10 (Analog). Set the slide switch at "CONSTANT" position.

The Lightings intensity is set by manually adjust the position of VR Knob (label 1-10) on the casing.

When VR Knob position at '1', it sets the lightings intensity at minimum.

When VR Knob position at '10', it sets the lightings intensity at maximum.

Trigger Mode

The unit will operate in Trigger mode when the Toggle switch is set at "STROBE" position (Label STROBE). The unit has trigger mode intensity from 1 – 10 (Analog). Set the Toggle switch at "STROBE" position.

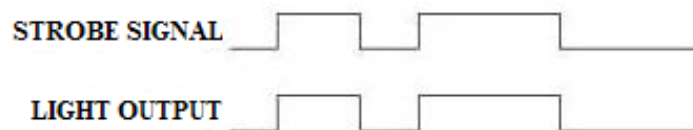
The Lightings intensity is set by manually adjust the position of VR Knob (label 1-10) on the casing.

When VR Knob position at '1', it sets the lightings intensity at minimum.

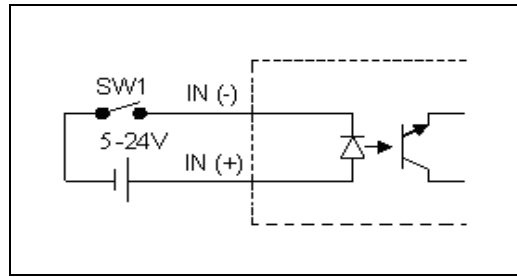
When VR Knob position at '10', it sets the lightings intensity at maximum.

The "STROBE SIGNAL" input and "LIGHT OUTPUT" output timing diagram is shown as below:

Triggered Mode Timing



Pull High / Pull Low



Precautions.

- **Do not open the cover of the product**

Electric shock may occur, do not touch the internal parts.

- **Automatically Shutdowns, protection controller damages.**

When the temperature controller reach result overheat more that $>100^{\circ}\text{C}$, the controller will automatically shutdown and the Alarm LED (RED) will blink. It is to protect the controller damages, please restart the power and ensure the controller on site good ventilation.

- **Install the unit at a site with good ventilation.**

Poor ventilation result over heating and cause the unit to fail.

- **Do not use the unit in a closed system, as it becomes hot.**

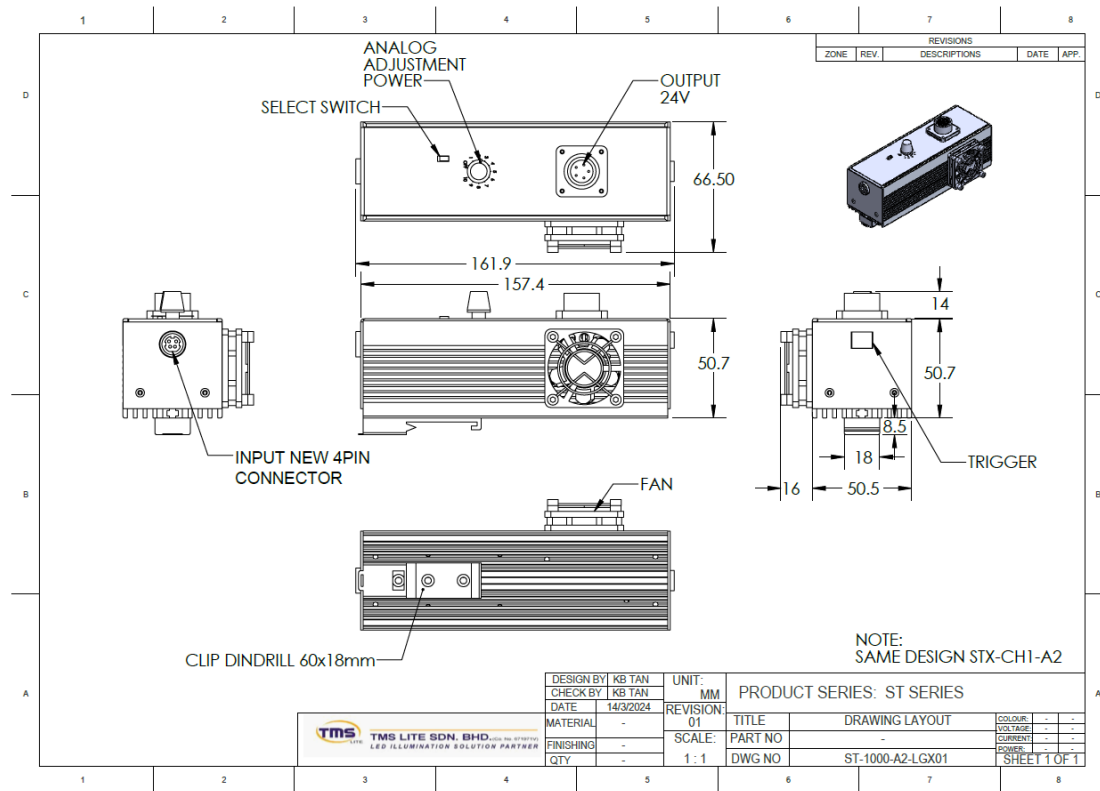
Cool down with fans, if it is used in a closing space.

- **Do not rest your hand or any part of your body on the product casing.**

Warning: The casing of the product is hot, its temperature may raise to $<100^{\circ}\text{C}$. (Maximum Current Output)

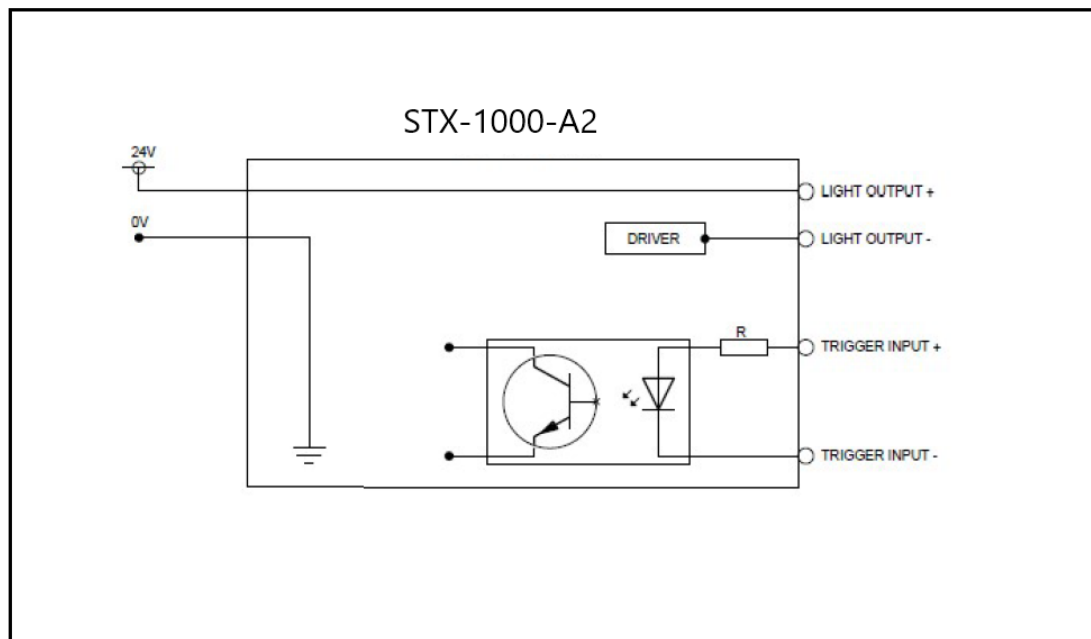


Dimension Layout

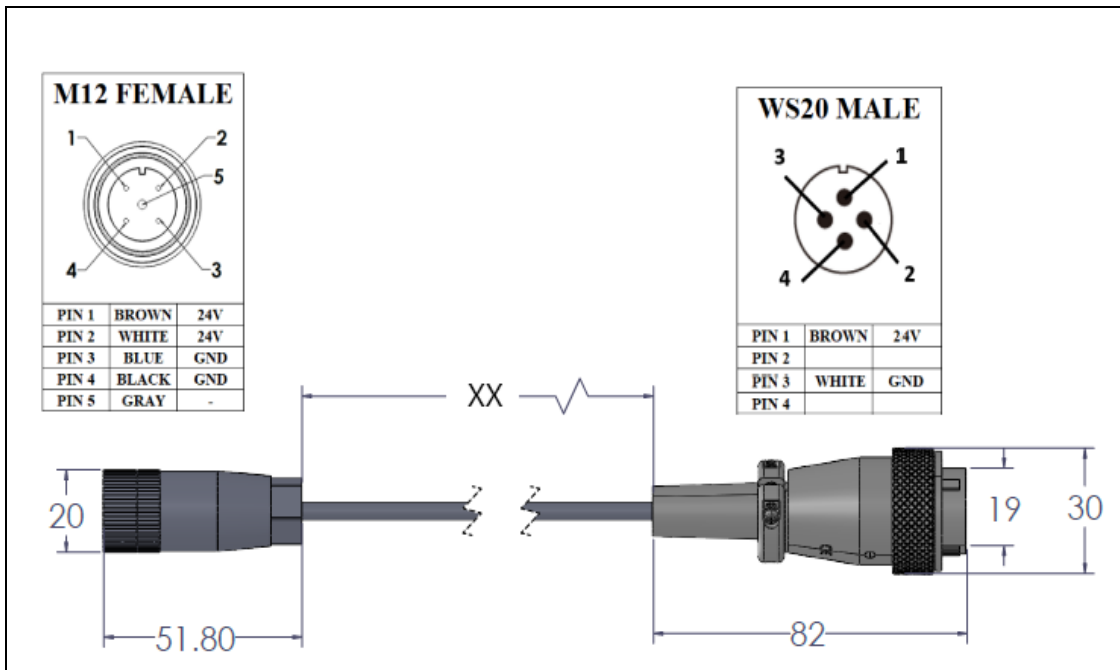


Unit = mm

Schematic STX-1000-A2



Cable Selection



MODEL	POWER	LENGTH
EXTX-WS20M-M12F-24V-XX	24V	3M
		5M

** XX = Length

WS20M Connector

Pin	Description
1	Light Output +
2	N/A
3	Light Output -
4	N/A


M12 Connector

Pin	Description
1	Light Output +
2	Light Output +
3	Light Output -
4	Light Output -
5	N/A

Accessories

Additional accessories that can be used with STX-1000-A2 controllers.

- 24V power supply
- Choose one Power Cord UK, US or EU

MODEL	SPECIFICATIONS
 <p data-bbox="242 1489 799 1547">24V ADAPTOR POWER SUPPLY WITH POWER CORD</p>	<ul style="list-style-type: none"> • STX-1000-A2-PS9.2A-UK (CONTROLLER WITH 24V ADAPTOR AND UK POWER CORD) • STX-1000-A2-PS9.2A-US (CONTROLLER WITH 24V ADAPTOR AND US POWER CORD) • STX-1000-A2-PS9.2A-EU (CONTROLLER WITH 24V ADAPTOR AND EU POWER CORD)

Power Cord Information

The cable length is 1.8 Meter length of power cord.

240VAC Power Cord (UK)



220VAC Power Cord (EU)



110VAC Power Cord (US)





VISION CONSULTANCY
MAKING THE UNSEEN VISIBLE

Thank you for downloading this catalogue from
www.machine-vision-shop.com

If you have any questions, you need help composing the
right package for your application or do you want to order?

Feel free to contact us via e-mail at sales@vision-consultancy.nl or visit our webshop.

Our vision experts are happy to help you.



Natascha Overhof



Christian Cromptvoets



VISION CONSULTANCY

Robert Schumandomein 2
6229 ES Maastricht
The Netherlands

+31 (0) 438 522 651

sales@vision-consultancy.nl
www.machine-vision-shop.com

Scan me to visit
[machine-vision-shop](http://machine-vision-shop.com)

