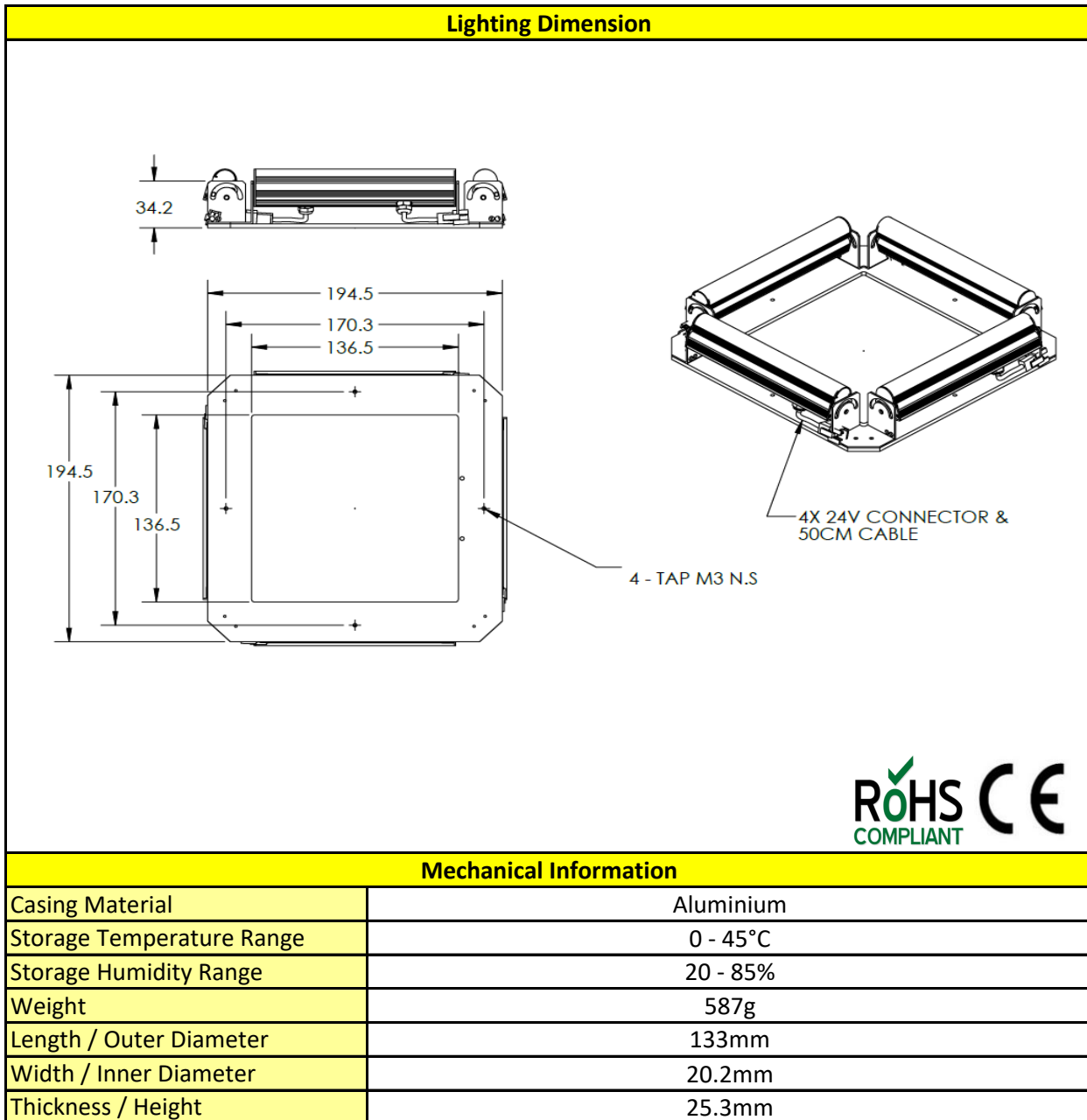


# ILLUMINATOR DATA (ID)

## HDLBQ-00-130-1-W-24V



# ILLUMINATOR DATA (ID)

## HDLBQ-00-130-1-W-24V

Lighting Information										
Part Number	HDLBQ-00-130-1-W-24V									
LED Color	WHITE									
Wavelength	REFER TO CHROMACITY TABLE									
Working Distance	TBA	TBA	TBA	TBA	TBA	TBA	TBA	TBA	TBA	
Intensity (±15%)	TBA	TBA	TBA	TBA	TBA	TBA	TBA	TBA	TBA	
Illumination (number of row)	1									
Illumination Active Area	Active Length / Outer Dia.			131 mm						
	Active Width / Inner Dia.			10.3 mm						
Emission angle	0									
Eye Safety Class ( IEC62471 )	EXEMPT									
Chromaticity Table For White colour only	X	0.296	0.287	0.307	0.311	X	0.311	0.307	0.33	0.33
	Y	0.276	0.295	0.315	0.294	Y	0.294	0.315	0.339	0.318

Electrical Information	
Rated Constant Voltage	24V±2%
Rated Constant Current	640mA
Power Consumption	15.36W
Casing temperature, After 60 minutes operation	TBA


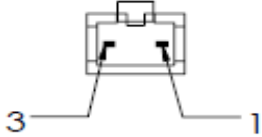
Strobe Mode Specification	
*Normal Strobe Voltage	24 V
*Normal Strobe Current	640 mA
Overdrive Voltage Range	Min: 36V      Max: 48V
Overdrive Current Range	Min: 1.64 A      Max: 2.64 A
Recommended Overdrive Voltage	36V
**Max. Trigger Pulse Duration	10 msec
**Max. Duty Cycle	10%

\*Normal strobe means the lighting is operated using the rated power. Overdrive means the power supplied to the lighting exceeded the rated power.

\*\*Overdrive condition must not exceed the max. trigger pulse duration and max. duty cycle.

# ILLUMINATOR DATA (ID)

## HDLBQ-00-130-1-W-24V

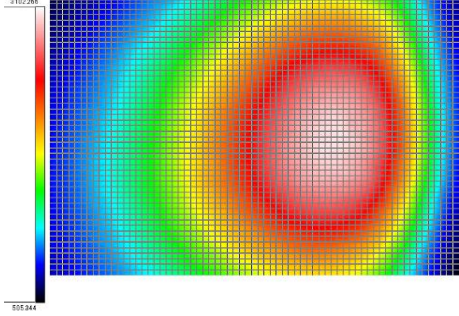
Connection Information			
Connector Type (Default)	JST SMR-03V		
Cable Length	50 cm		
Pin Configuration  	Pin	Signal	Cable Colour
	1	LED +	Red
	2	N.C	-
	3	LED -	White
			

Additional Information	
Additional Cooling Method	Attached to machine part for better heat dissipation
Intensity Controller Selection	SD, ST, ANG, LC, SDA, SDP series
CE Conformity	YES
RoHS Compliance	YES

Application	
Illumination Type	Direct Illumination
Application Use	Label Inspection, Character Inspection, Code Recognition

# ILLUMINATOR DATA (ID)

## HDLBQ-00-130-1-W-24V

Lighting Pattern				
Working Distance	For further details please contact us			
Display and Image				
Data Results	Horizontal	Meas.(mm)	Vertical	Meas.(mm)
	90%		90%	
	80%		80%	
	70%		70%	
	60%		60%	
	50%		50%	
	40%		40%	
	30%		30%	
	20%		20%	
	10%		10%	



**VISION CONSULTANCY**  
MAKING THE UNSEEN VISIBLE

Thank you for downloading this catalogue from  
[www.machine-vision-shop.com](http://www.machine-vision-shop.com)

If you have any questions, you need help composing the  
right package for your application or do you want to order?

Feel free to contact us via e-mail at [sales@vision-consultancy.nl](mailto:sales@vision-consultancy.nl) or visit our webshop.

Our vision experts are happy to help you.



Natascha Overhof



Christian Cromptvoets



**VISION CONSULTANCY**

Robert Schumandomein 2  
6229 ES Maastricht  
The Netherlands

+31 (0) 438 522 651

[sales@vision-consultancy.nl](mailto:sales@vision-consultancy.nl)  
[www.machine-vision-shop.com](http://www.machine-vision-shop.com)

Scan me to visit  
[machine-vision-shop](http://machine-vision-shop.com)

