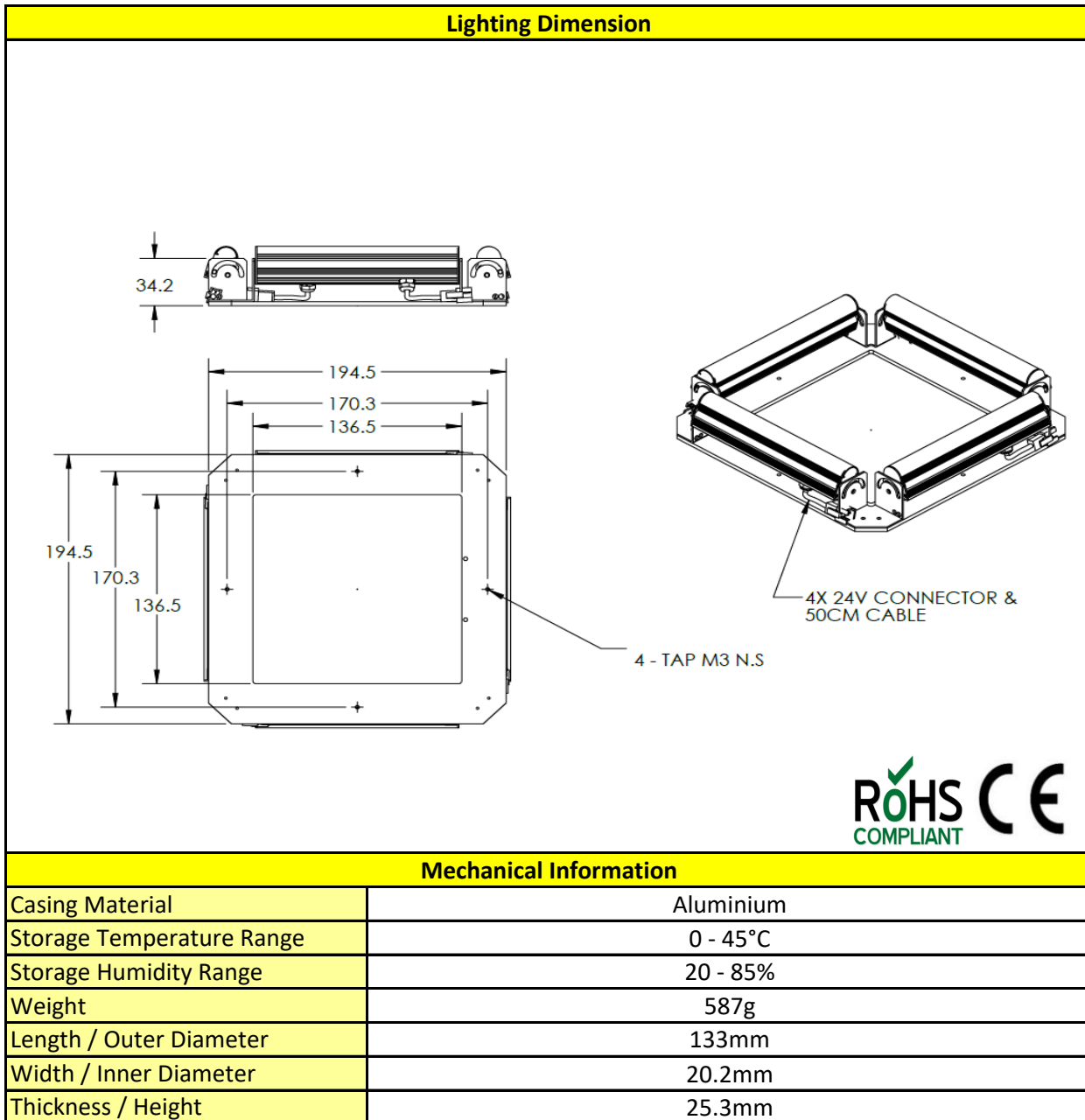


ILLUMINATOR DATA (ID)

HDLBQ-00-130-1-R-24V



ILLUMINATOR DATA (ID)

HDLBQ-00-130-1-R-24V

| Lighting Information | | | |
|---|----------------------------|---------|-----|
| Part Number | HDLBQ-00-130-1-R-24V | | |
| LED Color | RED | | |
| Wavelength | 630nm | | |
| Working Distance | TBA | TBA | TBA |
| Intensity (±15%) | TBA | TBA | TBA |
| Illumination (number of row) | 1 | | |
| Illumination Active Area | Active Length / Outer Dia. | 131 mm | |
| | Active Width / Inner Dia. | 10.3 mm | |
| Emission angle | 0 | | |
| Eye Safety Class (IEC62471) | EXEMPT | | |
| Chromaticity Table For White colour only | Nil | | |

| Electrical Information | |
|---|--------|
| Rated Constant Voltage | 24V±2% |
| Rated Constant Current | 640mA |
| Power Consumption | 15.36W |
| Casing temperature, After 60 minutes operation | TBA |


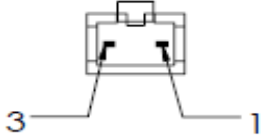
| Strobe Mode Specification | | |
|-------------------------------|------------|------------|
| *Normal Strobe Voltage | 24 V | |
| *Normal Strobe Current | 640 mA | |
| Overdrive Voltage Range | Min: 36V | Max: 48V |
| Overdrive Current Range | Min: 1.2 A | Max: 1.8 A |
| Recommended Overdrive Voltage | 36V | |
| **Max. Trigger Pulse Duration | 10 msec | |
| **Max. Duty Cycle | 10% | |

*Normal strobe means the lighting is operated using the rated power. Overdrive means the power supplied to the lighting exceeded the rated power.

**Overdrive condition must not exceed the max. trigger pulse duration and max. duty cycle.

ILLUMINATOR DATA (ID)

HDLBQ-00-130-1-R-24V

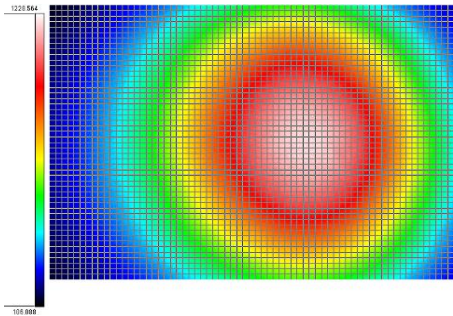
| Connection Information | | | |
|--|-------------|--------|--------------|
| Connector Type (Default) | JST SMR-03V | | |
| Cable Length | 50 cm | | |
| Pin Configuration  | Pin | Signal | Cable Colour |
| | 1 | LED + | Red |
| | 2 | N.C | - |
| | 3 | LED - | White |
|  | | | |

| Additional Information | |
|--------------------------------|--|
| Additional Cooling Method | Attached to machine part for better heat dissipation |
| Intensity Controller Selection | SD, ST, ANG, LC, SDA, SDP series |
| CE Conformity | YES |
| RoHS Compliance | YES |

| Application | |
|-------------------|--|
| Illumination Type | Direct Illumination |
| Application Use | Label Inspection, Character Inspection, Code Recognition |

ILLUMINATOR DATA (ID)

HDLBQ-00-130-1-R-24V

| Lighting Pattern | | | | |
|-------------------|--|-----------|----------|-----------|
| Working Distance | For further details please contact us | | | |
| Display and Image |  | | | |
| Data Results | Horizontal | Meas.(mm) | Vertical | Meas.(mm) |
| | 90% | | 90% | |
| | 80% | | 80% | |
| | 70% | | 70% | |
| | 60% | | 60% | |
| | 50% | | 50% | |
| | 40% | | 40% | |
| | 30% | | 30% | |
| | 20% | | 20% | |
| | 10% | | 10% | |
| | | | | |



VISION CONSULTANCY
MAKING THE UNSEEN VISIBLE

Thank you for downloading this catalogue from
www.machine-vision-shop.com

If you have any questions, you need help composing the
right package for your application or do you want to order?

Feel free to contact us via e-mail at sales@vision-consultancy.nl or visit our webshop.

Our vision experts are happy to help you.



Natascha Overhof



Christian Cromptvoets



VISION CONSULTANCY

Robert Schumandomein 2
6229 ES Maastricht
The Netherlands

+31 (0) 438 522 651

sales@vision-consultancy.nl
www.machine-vision-shop.com

Scan me to visit
[machine-vision-shop](http://machine-vision-shop.com)

