

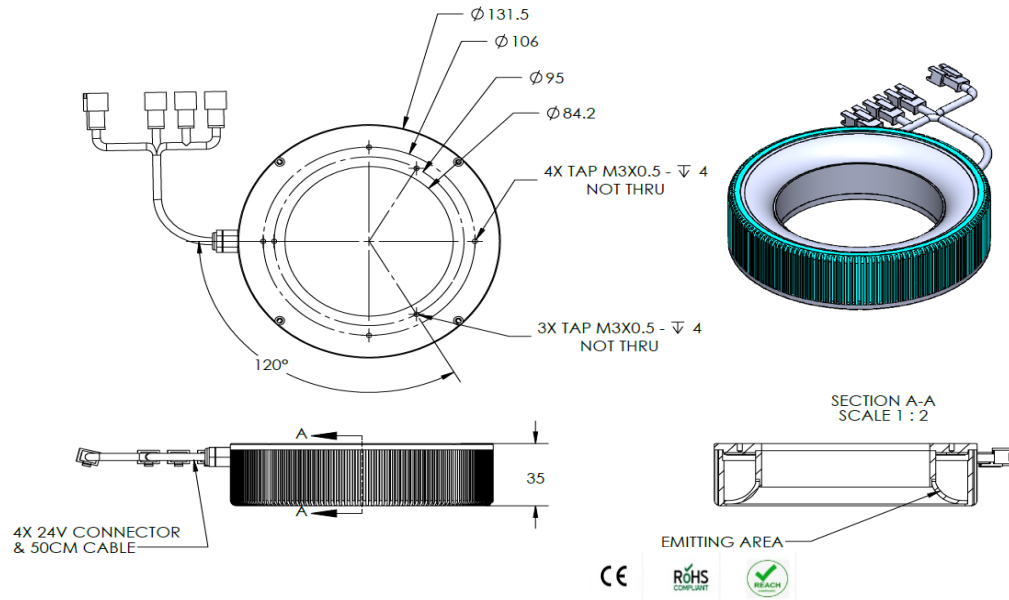


TMS LITE SDN BHD
 (Company Registration No : 200401033463 / 671971-V)
 No. 2A-2, Tingkat Kenari 5, Desa Ria, Sungai Ara, 11900 Bayan Lepas, Penang, Malaysia.
 Tel : +604-646 8428 Fax : +604-646 3428
 Email : sales@tms-lite.com | support@tms-lite.com



F-HPD3-00-130-1-RGBW-24V

Lighting Dimension



Mechanical Information	
Casing Material	Aluminium
Storage Temperature Range	0 - 45 °C
Storage Humidity Range	20 - 85 %
Weight	NA g
Length / Outer Diameter	131.5 mm
Width / Inner Diameter	84.2 mm
Thickness / Height	35 mm



TMS LITE SDN BHD
 (Company Registration No : 200401033463 / 671971-V)
 No. 2A-2, Tingkat Kenari 5, Desa Ria, Sungai Ara, 11900 Bayan Lepas, Penang, Malaysia.
 Tel : +604-646 8428 Fax : +604-646 3428
 Email : sales@tms-lite.com | support@tms-lite.com



F-HPD3-00-130-1-RGBW-24V

Lighting Information										
Part Number	F-HPD3-00-130-1-RGBW-24V									
LED Color	Red									
Wavelength	630									
Working Distance	26 mm	62 mm	157 mm							
Intensity (±15%)	1730 lx	1700 lx	640 lx							
LED Color	Green									
Wavelength	525									
Working Distance	26 mm	62 mm	157 mm							
Intensity (±15%)	4750 lx	4580 lx	1530 lx							
LED Color	Blue									
Wavelength	470									
Working Distance	26 mm	62 mm	157 mm							
Intensity (±15%)	5070 lx	4780 lx	1650 lx							
LED Color	White									
Wavelength	-									
Working Distance	26 mm	62 mm	157 mm							
Intensity (±15%)	4100 lx	3830 lx	1330 lx							
Illumination (number of row)	X									
Illumination Active Area	Active Length / Outer Dia.	119.5								
	Active Width / Inner Dia.	86.2								
Emission angle	NA									
Eye Safety Class (IEC62471)	EXEMPT									
Chromaticity Table For White colour only	X	0.296	0.287	0.307	0.311	X	0.311	0.307	0.33	0.33
	Y	0.276	0.295	0.315	0.294	Y	0.294	0.315	0.339	0.318



TMS LITE SDN BHD
 (Company Registration No : 200401033463 / 671971-V)
 No. 2A-2, Tingkat Kenari 5, Desa Ria, Sungai Ara, 11900 Bayan Lepas, Penang, Malaysia.
 Tel : +604-646 8428 Fax : +604-646 3428
 Email : sales@tms-lite.com | support@tms-lite.com



F-HPD3-00-130-1-RGBW-24V

Electrical Information	
LED Color	Red
Rated Constant Voltage	NA V±2%
Rated Constant Current	Min: NA mA Max:
Power Consumption	Min: NA W Max:
LED Color	Green
Rated Constant Voltage	NA V±2%
Rated Constant Current	Min: NA mA Max:
Power Consumption	Min: NA W Max:
LED Color	Blue
Rated Constant Voltage	NA V±2%
Rated Constant Current	Min: NA mA Max:
Power Consumption	Min: NA W Max:
LED Color	White
Rated Constant Voltage	NA V±2%
Rated Constant Current	Min: NA mA Max:
Power Consumption	Min: NA W Max:
Casing temperature, After 60 minutes operation	NA
Max. continuous current of RED, GREEN & BLUE LEDs on at the same time	*It is not recommended to turn on Red, Green and Blue colour at the same time. Refer to Maximum Simultaneous Current Output section in the last page for maximum current that can be supplied for each colour. Failure in following this may results in damaging the lighting.



TMS LITE SDN BHD
 (Company Registration No : 200401033463 / 671971-V)
 No. 2A-2, Tingkat Kenari 5, Desa Ria, Sungai Ara, 11900 Bayan Lepas, Penang, Malaysia.
 Tel : +604-646 8428 Fax : +604-646 3428
 Email : sales@tms-lite.com | support@tms-lite.com



F-HPD3-00-130-1-RGBW-24V

Strobe Mode Specification	
**Normal Strobe Voltage	24 V
LED Color	Red
**Normal Strobe Current	Min: NA mA Max: NA mA
Overdrive Voltage Range	Min: NA V Max: NA V
Overdrive Current Range	Min: NA A Max: NA A
LED Color	Green
**Normal Strobe Current	Min: NA mA Max: NA mA
Overdrive Voltage Range	Min: NA V Max: NA V
Overdrive Current Range	Min: NA A Max: NA A
LED Color	Blue
**Normal Strobe Current	Min: NA mA Max: NA mA
Overdrive Voltage Range	Min: NA V Max: NA V
Overdrive Current Range	Min: NA A Max: NA A
LED Color	White
**Normal Strobe Current	Min: NA mA Max: NA mA
Overdrive Voltage Range	Min: NA V Max: NA V
Overdrive Current Range	Min: NA A Max: NA A
Max. pulse current of RED, GREEN & BLUE LEDs on at the same time	*It is not recommended to turn on Red, Green and Blue colour at the same time. Refer to Maximum Simultaneous Current Output section in the last page for maximum current that can be supplied for each colour. Failure in following this may results in damaging the lighting.
Recommended Overdrive Voltage	
***Max. Trigger Pulse Duration	10
***Max. Duty Cycle	10%

Overdrive Specification	
LED Color	Red
Overdrive Voltage Range	Min : V - Max :V
*Max. Overdrive Current	mA
LED Color	Green
Overdrive Voltage Range	Min : V - Max : V
*Max. Overdrive Current	mA
LED Color	Blue
Overdrive Voltage Range	Min : V - Max :V
*Max. Overdrive Current	mA
LED Color	White
Overdrive Voltage Range	Min : V - Max :V
*Max. Overdrive Current	mA
Recommended Overdrive Voltage	
**Max. Trigger Pulse Duration	10mS
**Max. Duty Cycle	10%
Remark	"DO NOT" turn on Red, Green and Blue colour at the same time, only light "ON" on color or Sum of all color Red, Green, Blue should not exceed an intensity 100%


- Note :** Normal strobe means the lighting is operated using the rated power. Overdrive means the power supplied to the lighting exceeded the rated
- * Lighting maximum overdrive current, failure following this results in damaging the lighting. If customer using the 12V overdrive voltages, please setting the controller output current to 700mA (Max).
 - **Overdrive condition must not exceed the max. trigger pulse duration and max. duty cycle. Failure in following this may results in damaging the lighting.



TMS LITE SDN BHD
 (Company Registration No : 200401033463 / 671971-V)
 No. 2A-2, Tingkat Kenari 5, Desa Ria, Sungai Ara, 11900 Bayan Lepas, Penang, Malaysia.
 Tel : +604-646 8428 Fax : +604-646 3428
 Email : sales@tms-lite.com | support@tms-lite.com



F-HPD3-00-130-1-RGBW-24V

Connection Information			
Connector Type (Default)	JST SMR-03V		
Cable Length	50 CM		
Pin Configuration	Pin	Signal	Cable Colour
	1	-	-
	2	LED +	Red
	3	LED -	White
	4		
	5		
			

Additional Information	
Additional Cooling Method	Attached to machine part for better heat dissipation
Intensity Controller Selection	SD,ST,ANG,LC,SDP Series
CE Conformity	Yes
RoHS Compliance	Yes
Reach	No
BIS	No
UKCA	No

Application	
Illumination Type	
Application Use	



TMS LITE SDN BHD

(Company Registration No : 200401033463 / 671971-V)

No. 2A-2, Tingkat Kenari 5, Desa Ria, Sungai Ara, 11900 Bayan Lepas, Penang, Malaysia.

Tel : +604-646 8428 Fax : +604-646 3428

Email : sales@tms-lite.com | support@tms-lite.com



F-HPD3-00-130-1-RGBW-24V

Lighting Pattern																																													
LED Color	Red																																												
Working Distance	NA																																												
Display and Image	NA																																												
Data Results	<table border="1" style="width: 100%; border-collapse: collapse;"> <thead> <tr> <th style="width: 50%;">Horizontal</th> <th style="width: 25%;">Meas.(mm)</th> <th style="width: 50%;">Vertical</th> <th style="width: 25%;">Meas.(mm)</th> </tr> </thead> <tbody> <tr><td>90%</td><td>NA</td><td>90%</td><td>NA</td></tr> <tr><td>80%</td><td>NA</td><td>80%</td><td>NA</td></tr> <tr><td>70%</td><td>NA</td><td>70%</td><td>NA</td></tr> <tr><td>60%</td><td>NA</td><td>60%</td><td>NA</td></tr> <tr><td>50%</td><td>NA</td><td>50%</td><td>NA</td></tr> <tr><td>40%</td><td>NA</td><td>40%</td><td>NA</td></tr> <tr><td>30%</td><td>NA</td><td>30%</td><td>NA</td></tr> <tr><td>20%</td><td>NA</td><td>20%</td><td>NA</td></tr> <tr><td>10%</td><td>NA</td><td>10%</td><td>NA</td></tr> </tbody> </table> <table border="1" style="width: 50%; margin-left: auto; margin-right: auto; border-collapse: collapse;"> <thead> <tr> <th style="width: 30%;">Max</th> <th style="width: 70%;">Meas.(cd/m2)</th> </tr> </thead> <tbody> <tr> <td></td> <td>NA</td> </tr> </tbody> </table>	Horizontal	Meas.(mm)	Vertical	Meas.(mm)	90%	NA	90%	NA	80%	NA	80%	NA	70%	NA	70%	NA	60%	NA	60%	NA	50%	NA	50%	NA	40%	NA	40%	NA	30%	NA	30%	NA	20%	NA	20%	NA	10%	NA	10%	NA	Max	Meas.(cd/m2)		NA
Horizontal	Meas.(mm)	Vertical	Meas.(mm)																																										
90%	NA	90%	NA																																										
80%	NA	80%	NA																																										
70%	NA	70%	NA																																										
60%	NA	60%	NA																																										
50%	NA	50%	NA																																										
40%	NA	40%	NA																																										
30%	NA	30%	NA																																										
20%	NA	20%	NA																																										
10%	NA	10%	NA																																										
Max	Meas.(cd/m2)																																												
	NA																																												
LED Color	Green																																												
Working Distance	NA																																												
Display and Image	NA																																												
Data Results	<table border="1" style="width: 100%; border-collapse: collapse;"> <thead> <tr> <th style="width: 50%;">Horizontal</th> <th style="width: 25%;">Meas.(mm)</th> <th style="width: 50%;">Vertical</th> <th style="width: 25%;">Meas.(mm)</th> </tr> </thead> <tbody> <tr><td>90%</td><td>NA</td><td>90%</td><td>NA</td></tr> <tr><td>80%</td><td>NA</td><td>80%</td><td>NA</td></tr> <tr><td>70%</td><td>NA</td><td>70%</td><td>NA</td></tr> <tr><td>60%</td><td>NA</td><td>60%</td><td>NA</td></tr> <tr><td>50%</td><td>NA</td><td>50%</td><td>NA</td></tr> <tr><td>40%</td><td>NA</td><td>40%</td><td>NA</td></tr> <tr><td>30%</td><td>NA</td><td>30%</td><td>NA</td></tr> <tr><td>20%</td><td>NA</td><td>20%</td><td>NA</td></tr> <tr><td>10%</td><td>NA</td><td>10%</td><td>NA</td></tr> </tbody> </table> <table border="1" style="width: 50%; margin-left: auto; margin-right: auto; border-collapse: collapse;"> <thead> <tr> <th style="width: 30%;">Max</th> <th style="width: 70%;">Meas.(cd/m2)</th> </tr> </thead> <tbody> <tr> <td></td> <td>NA</td> </tr> </tbody> </table>	Horizontal	Meas.(mm)	Vertical	Meas.(mm)	90%	NA	90%	NA	80%	NA	80%	NA	70%	NA	70%	NA	60%	NA	60%	NA	50%	NA	50%	NA	40%	NA	40%	NA	30%	NA	30%	NA	20%	NA	20%	NA	10%	NA	10%	NA	Max	Meas.(cd/m2)		NA
Horizontal	Meas.(mm)	Vertical	Meas.(mm)																																										
90%	NA	90%	NA																																										
80%	NA	80%	NA																																										
70%	NA	70%	NA																																										
60%	NA	60%	NA																																										
50%	NA	50%	NA																																										
40%	NA	40%	NA																																										
30%	NA	30%	NA																																										
20%	NA	20%	NA																																										
10%	NA	10%	NA																																										
Max	Meas.(cd/m2)																																												
	NA																																												



TMS LITE SDN BHD
 (Company Registration No : 200401033463 / 671971-V)
 No. 2A-2, Tingkat Kenari 5, Desa Ria, Sungai Ara, 11900 Bayan Lepas, Penang, Malaysia.
 Tel : +604-646 8428 Fax : +604-646 3428
 Email : sales@tms-lite.com | support@tms-lite.com



F-HPD3-00-130-1-RGBW-24V

LED Color	Blue																																											
Working Distance	NA																																											
Display and Image	NA																																											
Data Results	<table border="1"> <thead> <tr> <th>Horizontal</th> <th>Meas.(mm)</th> </tr> </thead> <tbody> <tr><td>90%</td><td>NA</td></tr> <tr><td>80%</td><td>NA</td></tr> <tr><td>70%</td><td>NA</td></tr> <tr><td>60%</td><td>NA</td></tr> <tr><td>50%</td><td>NA</td></tr> <tr><td>40%</td><td>NA</td></tr> <tr><td>30%</td><td>NA</td></tr> <tr><td>20%</td><td>NA</td></tr> <tr><td>10%</td><td>NA</td></tr> </tbody> </table>		Horizontal	Meas.(mm)	90%	NA	80%	NA	70%	NA	60%	NA	50%	NA	40%	NA	30%	NA	20%	NA	10%	NA	<table border="1"> <thead> <tr> <th>Vertical</th> <th>Meas.(mm)</th> </tr> </thead> <tbody> <tr><td>90%</td><td>NA</td></tr> <tr><td>80%</td><td>NA</td></tr> <tr><td>70%</td><td>NA</td></tr> <tr><td>60%</td><td>NA</td></tr> <tr><td>50%</td><td>NA</td></tr> <tr><td>40%</td><td>NA</td></tr> <tr><td>30%</td><td>NA</td></tr> <tr><td>20%</td><td>NA</td></tr> <tr><td>10%</td><td>NA</td></tr> </tbody> </table>		Vertical	Meas.(mm)	90%	NA	80%	NA	70%	NA	60%	NA	50%	NA	40%	NA	30%	NA	20%	NA	10%	NA
Horizontal	Meas.(mm)																																											
90%	NA																																											
80%	NA																																											
70%	NA																																											
60%	NA																																											
50%	NA																																											
40%	NA																																											
30%	NA																																											
20%	NA																																											
10%	NA																																											
Vertical	Meas.(mm)																																											
90%	NA																																											
80%	NA																																											
70%	NA																																											
60%	NA																																											
50%	NA																																											
40%	NA																																											
30%	NA																																											
20%	NA																																											
10%	NA																																											
	Max	Meas.(cd/m2)																																										
		NA																																										
LED Color	White																																											
Working Distance	NA																																											
Display and Image	NA																																											
Data Results	<table border="1"> <thead> <tr> <th>Horizontal</th> <th>Meas.(mm)</th> </tr> </thead> <tbody> <tr><td>90%</td><td>NA</td></tr> <tr><td>80%</td><td>NA</td></tr> <tr><td>70%</td><td>NA</td></tr> <tr><td>60%</td><td>NA</td></tr> <tr><td>50%</td><td>NA</td></tr> <tr><td>40%</td><td>NA</td></tr> <tr><td>30%</td><td>NA</td></tr> <tr><td>20%</td><td>NA</td></tr> <tr><td>10%</td><td>NA</td></tr> </tbody> </table>		Horizontal	Meas.(mm)	90%	NA	80%	NA	70%	NA	60%	NA	50%	NA	40%	NA	30%	NA	20%	NA	10%	NA	<table border="1"> <thead> <tr> <th>Vertical</th> <th>Meas.(mm)</th> </tr> </thead> <tbody> <tr><td>90%</td><td>NA</td></tr> <tr><td>80%</td><td>NA</td></tr> <tr><td>70%</td><td>NA</td></tr> <tr><td>60%</td><td>NA</td></tr> <tr><td>50%</td><td>NA</td></tr> <tr><td>40%</td><td>NA</td></tr> <tr><td>30%</td><td>NA</td></tr> <tr><td>20%</td><td>NA</td></tr> <tr><td>10%</td><td>NA</td></tr> </tbody> </table>		Vertical	Meas.(mm)	90%	NA	80%	NA	70%	NA	60%	NA	50%	NA	40%	NA	30%	NA	20%	NA	10%	NA
Horizontal	Meas.(mm)																																											
90%	NA																																											
80%	NA																																											
70%	NA																																											
60%	NA																																											
50%	NA																																											
40%	NA																																											
30%	NA																																											
20%	NA																																											
10%	NA																																											
Vertical	Meas.(mm)																																											
90%	NA																																											
80%	NA																																											
70%	NA																																											
60%	NA																																											
50%	NA																																											
40%	NA																																											
30%	NA																																											
20%	NA																																											
10%	NA																																											
	Max	Meas.(cd/m2)																																										
		NA																																										

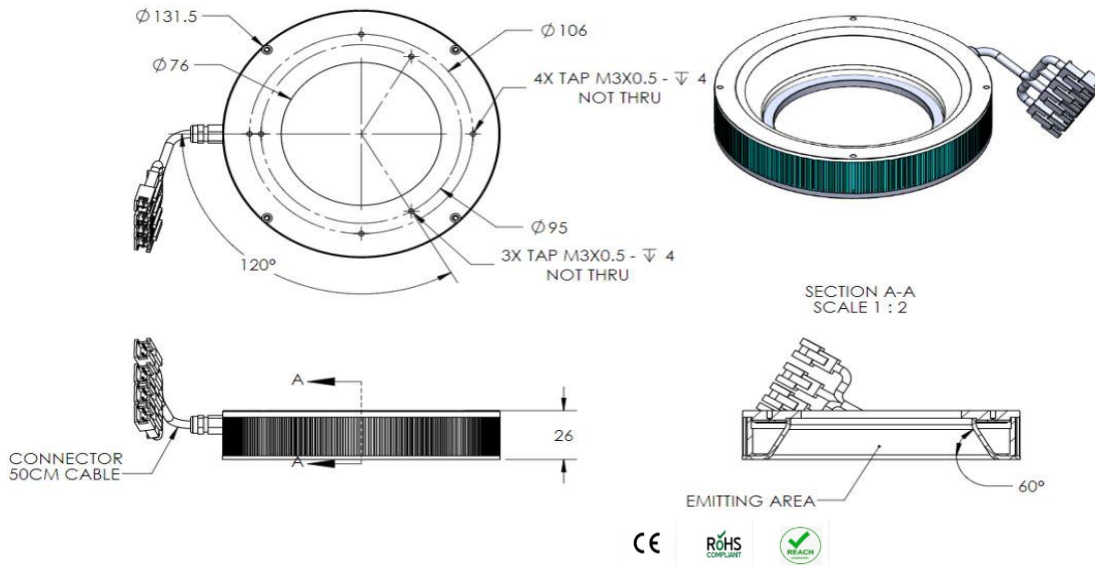


TMS LITE SDN BHD
 (Company Registration No : 200401033463 / 671971-V)
 No. 2A-2, Tingkat Kenari 5, Desa Ria, Sungai Ara, 11900 Bayan Lepas, Penang, Malaysia.
 Tel : +604-646 8428 Fax : +604-646 3428
 Email : sales@tms-lite.com | support@tms-lite.com



F-DLR4-60-130-1-RGBW-24V

Lighting Dimension



Mechanical Information	
Casing Material	Aluminium
Storage Temperature Range	0 - 45 °C
Storage Humidity Range	20 - 85 %
Weight	NA g
Length / Outer Diameter	131.5 mm
Width / Inner Diameter	76 mm
Thickness / Height	26 mm



TMS LITE SDN BHD
 (Company Registration No : 200401033463 / 671971-V)
 No. 2A-2, Tingkat Kenari 5, Desa Ria, Sungai Ara, 11900 Bayan Lepas, Penang, Malaysia.
 Tel : +604-646 8428 Fax : +604-646 3428
 Email : sales@tms-lite.com | support@tms-lite.com



F-DLR4-60-130-1-RGBW-24V

Lighting Information										
Part Number	F-DLR4-60-130-1-RGBW-24V									
LED Color	Red									
Wavelength	630									
Working Distance	NA	NA	NA	NA	NA					
Intensity (±15%)	NA lx	NA lx	NA lx	NA lx	NA lx					
LED Color	Green									
Wavelength	525									
Working Distance	NA	NA	NA	NA	NA					
Intensity (±15%)	NA lx	NA lx	NA lx	NA lx	NA lx					
LED Color	Blue									
Wavelength	470									
Working Distance	NA	NA	NA	NA	NA					
Intensity (±15%)	NA lx	NA lx	NA lx	NA lx	NA lx					
LED Color	White									
Wavelength	refer to chromaticity table									
Working Distance	NA	NA	NA	NA	NA					
Intensity (±15%)	NA lx	NA lx	NA lx	NA lx	NA lx					
Illumination (number of row)	X									
Illumination Active Area	Active Length / Outer Dia.	NA								
	Active Width / Inner Dia.	NA								
Emission angle	NA									
Eye Safety Class (IEC62471)	EXEMPT									
Chromaticity Table For White colour only	X	0.296	0.287	0.307	0.311	X	0.311	0.307	0.33	0.33
	Y	0.276	0.295	0.315	0.294	Y	0.294	0.315	0.339	0.318



TMS LITE SDN BHD
 (Company Registration No : 200401033463 / 671971-V)
 No. 2A-2, Tingkat Kenari 5, Desa Ria, Sungai Ara, 11900 Bayan Lepas, Penang, Malaysia.
 Tel : +604-646 8428 Fax : +604-646 3428
 Email : sales@tms-lite.com | support@tms-lite.com



F-DLR4-60-130-1-RGBW-24V

Electrical Information	
LED Color	Red
Rated Constant Voltage	NA V±2%
Rated Constant Current	Min: NA mA Max:
Power Consumption	Min: NA W Max:
LED Color	Green
Rated Constant Voltage	NA V±2%
Rated Constant Current	Min: NA mA Max:
Power Consumption	Min: NA W Max:
LED Color	Blue
Rated Constant Voltage	NA V±2%
Rated Constant Current	Min: NA mA Max:
Power Consumption	Min: NA W Max:
LED Color	White
Rated Constant Voltage	NA V±2%
Rated Constant Current	Min: NA mA Max:
Power Consumption	Min: NA W Max:
Casing temperature, After 60 minutes operation	NA
Max. continuous current of RED, GREEN & BLUE LEDs on at the same time	*It is not recommended to turn on Red, Green and Blue colour at the same time. Refer to Maximum Simultaneous Current Output section in the last page for maximum current that can be supplied for each colour. Failure in following this may results in damaging the lighting.



TMS LITE SDN BHD
 (Company Registration No : 200401033463 / 671971-V)
 No. 2A-2, Tingkat Kenari 5, Desa Ria, Sungai Ara, 11900 Bayan Lepas, Penang, Malaysia.
 Tel : +604-646 8428 Fax : +604-646 3428
 Email : sales@tms-lite.com | support@tms-lite.com



F-DLR4-60-130-1-RGBW-24V

Strobe Mode Specification	
**Normal Strobe Voltage	24 V
LED Color	Red
**Normal Strobe Current	Min: NA mA Max: NA mA
Overdrive Voltage Range	Min: NA V Max: NA V
Overdrive Current Range	Min: NA A Max: NA A
LED Color	Green
**Normal Strobe Current	Min: NA mA Max: NA mA
Overdrive Voltage Range	Min: NA V Max: NA V
Overdrive Current Range	Min: NA A Max: NA A
LED Color	Blue
**Normal Strobe Current	Min: NA mA Max: NA mA
Overdrive Voltage Range	Min: NA V Max: NA V
Overdrive Current Range	Min: NA A Max: NA A
LED Color	White
**Normal Strobe Current	Min: NA mA Max: NA mA
Overdrive Voltage Range	Min: NA V Max: NA V
Overdrive Current Range	Min: NA A Max: NA A
Max. pulse current of RED, GREEN & BLUE LEDs on at the same time	*It is not recommended to turn on Red, Green and Blue colour at the same time. Refer to Maximum Simultaneous Current Output section in the last page for maximum current that can be supplied for each colour. Failure in following this may results in damaging the lighting.
Recommended Overdrive Voltage	
***Max. Trigger Pulse Duration	10
***Max. Duty Cycle	10%

Overdrive Specification	
LED Color	Red
Overdrive Voltage Range	Min : V - Max :V
*Max. Overdrive Current	mA
LED Color	Green
Overdrive Voltage Range	Min : V - Max : V
*Max. Overdrive Current	mA
LED Color	Blue
Overdrive Voltage Range	Min : V - Max :V
*Max. Overdrive Current	mA
LED Color	White
Overdrive Voltage Range	Min : V - Max :V
*Max. Overdrive Current	mA
Recommended Overdrive Voltage	
**Max. Trigger Pulse Duration	10mS
**Max. Duty Cycle	10%
Remark	"DO NOT" turn on Red, Green and Blue colour at the same time, only light "ON" on color or Sum of all color Red, Green, Blue should not exceed an intensity 100%


- Note :** Normal strobe means the lighting is operated using the rated power. Overdrive means the power supplied to the lighting exceeded the rated
- * Lighting maximum overdrive current, failure following this results in damaging the lighting. If customer using the 12V overdrive voltages, please setting the controller output current to 700mA (Max).
 - **Overdrive condition must not exceed the max. trigger pulse duration and max. duty cycle. Failure in following this may results in damaging the lighting.



TMS LITE SDN BHD
 (Company Registration No : 200401033463 / 671971-V)
 No. 2A-2, Tingkat Kenari 5, Desa Ria, Sungai Ara, 11900 Bayan Lepas, Penang, Malaysia.
 Tel : +604-646 8428 Fax : +604-646 3428
 Email : sales@tms-lite.com | support@tms-lite.com



F-DLR4-60-130-1-RGBW-24V

Connection Information			
Connector Type (Default)	JST SMR-03V		
Cable Length	50 CM		
Pin Configuration	Pin	Signal	Cable Colour
	1	-	-
	2	LED +	Red
	3	LED -	White
	4		
	5		
			

Additional Information	
Additional Cooling Method	Attached to machine part for better heat dissipation
Intensity Controller Selection	SD,ST,ANG,LC,SDP Series
CE Conformity	Yes
RoHS Compliance	Yes
Reach	No
BIS	No
UKCA	No

Application	
Illumination Type	
Application Use	



TMS LITE SDN BHD

(Company Registration No : 200401033463 / 671971-V)

No. 2A-2, Tingkat Kenari 5, Desa Ria, Sungai Ara, 11900 Bayan Lepas, Penang, Malaysia.

Tel : +604-646 8428 Fax : +604-646 3428

Email : sales@tms-lite.com | support@tms-lite.com



F-DLR4-60-130-1-RGBW-24V

Lighting Pattern																																													
LED Color	Red																																												
Working Distance	NA																																												
Display and Image	NA																																												
Data Results	<table border="1"> <thead> <tr> <th>Horizontal</th> <th>Meas.(mm)</th> <th>Vertical</th> <th>Meas.(mm)</th> </tr> </thead> <tbody> <tr><td>90%</td><td>NA</td><td>90%</td><td>NA</td></tr> <tr><td>80%</td><td>NA</td><td>80%</td><td>NA</td></tr> <tr><td>70%</td><td>NA</td><td>70%</td><td>NA</td></tr> <tr><td>60%</td><td>NA</td><td>60%</td><td>NA</td></tr> <tr><td>50%</td><td>NA</td><td>50%</td><td>NA</td></tr> <tr><td>40%</td><td>NA</td><td>40%</td><td>NA</td></tr> <tr><td>30%</td><td>NA</td><td>30%</td><td>NA</td></tr> <tr><td>20%</td><td>NA</td><td>20%</td><td>NA</td></tr> <tr><td>10%</td><td>NA</td><td>10%</td><td>NA</td></tr> </tbody> </table> <table border="1"> <thead> <tr> <th>Max</th> <th>Meas.(cd/m2)</th> </tr> </thead> <tbody> <tr> <td></td> <td>NA</td> </tr> </tbody> </table>	Horizontal	Meas.(mm)	Vertical	Meas.(mm)	90%	NA	90%	NA	80%	NA	80%	NA	70%	NA	70%	NA	60%	NA	60%	NA	50%	NA	50%	NA	40%	NA	40%	NA	30%	NA	30%	NA	20%	NA	20%	NA	10%	NA	10%	NA	Max	Meas.(cd/m2)		NA
Horizontal	Meas.(mm)	Vertical	Meas.(mm)																																										
90%	NA	90%	NA																																										
80%	NA	80%	NA																																										
70%	NA	70%	NA																																										
60%	NA	60%	NA																																										
50%	NA	50%	NA																																										
40%	NA	40%	NA																																										
30%	NA	30%	NA																																										
20%	NA	20%	NA																																										
10%	NA	10%	NA																																										
Max	Meas.(cd/m2)																																												
	NA																																												
LED Color	Green																																												
Working Distance	NA																																												
Display and Image	NA																																												
Data Results	<table border="1"> <thead> <tr> <th>Horizontal</th> <th>Meas.(mm)</th> <th>Vertical</th> <th>Meas.(mm)</th> </tr> </thead> <tbody> <tr><td>90%</td><td>NA</td><td>90%</td><td>NA</td></tr> <tr><td>80%</td><td>NA</td><td>80%</td><td>NA</td></tr> <tr><td>70%</td><td>NA</td><td>70%</td><td>NA</td></tr> <tr><td>60%</td><td>NA</td><td>60%</td><td>NA</td></tr> <tr><td>50%</td><td>NA</td><td>50%</td><td>NA</td></tr> <tr><td>40%</td><td>NA</td><td>40%</td><td>NA</td></tr> <tr><td>30%</td><td>NA</td><td>30%</td><td>NA</td></tr> <tr><td>20%</td><td>NA</td><td>20%</td><td>NA</td></tr> <tr><td>10%</td><td>NA</td><td>10%</td><td>NA</td></tr> </tbody> </table> <table border="1"> <thead> <tr> <th>Max</th> <th>Meas.(cd/m2)</th> </tr> </thead> <tbody> <tr> <td></td> <td>NA</td> </tr> </tbody> </table>	Horizontal	Meas.(mm)	Vertical	Meas.(mm)	90%	NA	90%	NA	80%	NA	80%	NA	70%	NA	70%	NA	60%	NA	60%	NA	50%	NA	50%	NA	40%	NA	40%	NA	30%	NA	30%	NA	20%	NA	20%	NA	10%	NA	10%	NA	Max	Meas.(cd/m2)		NA
Horizontal	Meas.(mm)	Vertical	Meas.(mm)																																										
90%	NA	90%	NA																																										
80%	NA	80%	NA																																										
70%	NA	70%	NA																																										
60%	NA	60%	NA																																										
50%	NA	50%	NA																																										
40%	NA	40%	NA																																										
30%	NA	30%	NA																																										
20%	NA	20%	NA																																										
10%	NA	10%	NA																																										
Max	Meas.(cd/m2)																																												
	NA																																												



TMS LITE SDN BHD
 (Company Registration No : 200401033463 / 671971-V)
 No. 2A-2, Tingkat Kenari 5, Desa Ria, Sungai Ara, 11900 Bayan Lepas, Penang, Malaysia.
 Tel : +604-646 8428 Fax : +604-646 3428
 Email : sales@tms-lite.com | support@tms-lite.com



F-DLR4-60-130-1-RGBW-24V

LED Color	Blue																																											
Working Distance	NA																																											
Display and Image	NA																																											
Data Results	<table border="1"> <thead> <tr> <th>Horizontal</th> <th>Meas.(mm)</th> </tr> </thead> <tbody> <tr><td>90%</td><td>NA</td></tr> <tr><td>80%</td><td>NA</td></tr> <tr><td>70%</td><td>NA</td></tr> <tr><td>60%</td><td>NA</td></tr> <tr><td>50%</td><td>NA</td></tr> <tr><td>40%</td><td>NA</td></tr> <tr><td>30%</td><td>NA</td></tr> <tr><td>20%</td><td>NA</td></tr> <tr><td>10%</td><td>NA</td></tr> </tbody> </table>		Horizontal	Meas.(mm)	90%	NA	80%	NA	70%	NA	60%	NA	50%	NA	40%	NA	30%	NA	20%	NA	10%	NA	<table border="1"> <thead> <tr> <th>Vertical</th> <th>Meas.(mm)</th> </tr> </thead> <tbody> <tr><td>90%</td><td>NA</td></tr> <tr><td>80%</td><td>NA</td></tr> <tr><td>70%</td><td>NA</td></tr> <tr><td>60%</td><td>NA</td></tr> <tr><td>50%</td><td>NA</td></tr> <tr><td>40%</td><td>NA</td></tr> <tr><td>30%</td><td>NA</td></tr> <tr><td>20%</td><td>NA</td></tr> <tr><td>10%</td><td>NA</td></tr> </tbody> </table>		Vertical	Meas.(mm)	90%	NA	80%	NA	70%	NA	60%	NA	50%	NA	40%	NA	30%	NA	20%	NA	10%	NA
Horizontal	Meas.(mm)																																											
90%	NA																																											
80%	NA																																											
70%	NA																																											
60%	NA																																											
50%	NA																																											
40%	NA																																											
30%	NA																																											
20%	NA																																											
10%	NA																																											
Vertical	Meas.(mm)																																											
90%	NA																																											
80%	NA																																											
70%	NA																																											
60%	NA																																											
50%	NA																																											
40%	NA																																											
30%	NA																																											
20%	NA																																											
10%	NA																																											
	Max	Meas.(cd/m2)																																										
		NA																																										
LED Color	White																																											
Working Distance	NA																																											
Display and Image	NA																																											
Data Results	<table border="1"> <thead> <tr> <th>Horizontal</th> <th>Meas.(mm)</th> </tr> </thead> <tbody> <tr><td>90%</td><td>NA</td></tr> <tr><td>80%</td><td>NA</td></tr> <tr><td>70%</td><td>NA</td></tr> <tr><td>60%</td><td>NA</td></tr> <tr><td>50%</td><td>NA</td></tr> <tr><td>40%</td><td>NA</td></tr> <tr><td>30%</td><td>NA</td></tr> <tr><td>20%</td><td>NA</td></tr> <tr><td>10%</td><td>NA</td></tr> </tbody> </table>		Horizontal	Meas.(mm)	90%	NA	80%	NA	70%	NA	60%	NA	50%	NA	40%	NA	30%	NA	20%	NA	10%	NA	<table border="1"> <thead> <tr> <th>Vertical</th> <th>Meas.(mm)</th> </tr> </thead> <tbody> <tr><td>90%</td><td>NA</td></tr> <tr><td>80%</td><td>NA</td></tr> <tr><td>70%</td><td>NA</td></tr> <tr><td>60%</td><td>NA</td></tr> <tr><td>50%</td><td>NA</td></tr> <tr><td>40%</td><td>NA</td></tr> <tr><td>30%</td><td>NA</td></tr> <tr><td>20%</td><td>NA</td></tr> <tr><td>10%</td><td>NA</td></tr> </tbody> </table>		Vertical	Meas.(mm)	90%	NA	80%	NA	70%	NA	60%	NA	50%	NA	40%	NA	30%	NA	20%	NA	10%	NA
Horizontal	Meas.(mm)																																											
90%	NA																																											
80%	NA																																											
70%	NA																																											
60%	NA																																											
50%	NA																																											
40%	NA																																											
30%	NA																																											
20%	NA																																											
10%	NA																																											
Vertical	Meas.(mm)																																											
90%	NA																																											
80%	NA																																											
70%	NA																																											
60%	NA																																											
50%	NA																																											
40%	NA																																											
30%	NA																																											
20%	NA																																											
10%	NA																																											
	Max	Meas.(cd/m2)																																										
		NA																																										

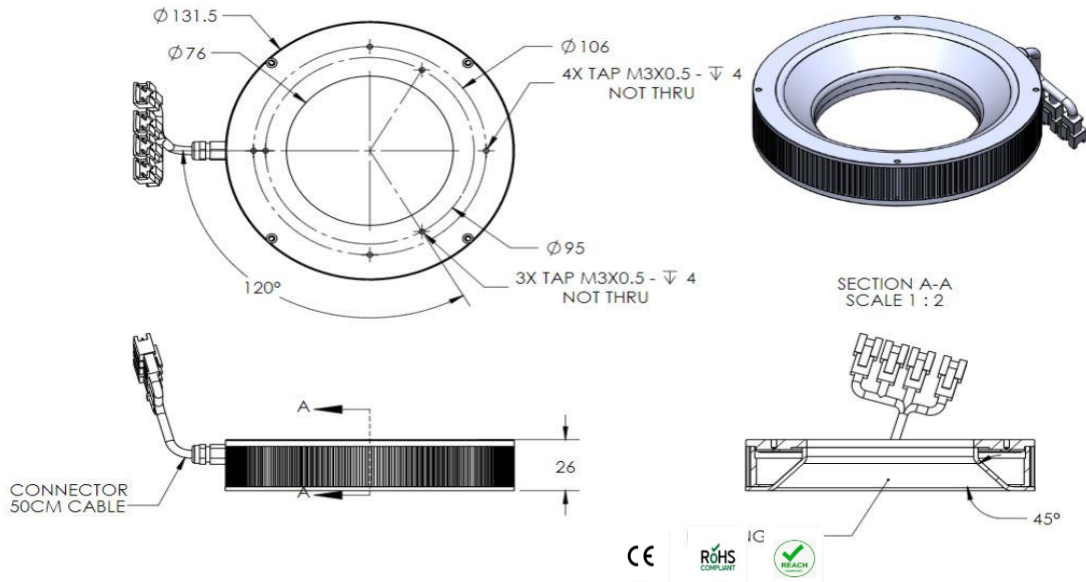


TMS LITE SDN BHD
 (Company Registration No : 200401033463 / 671971-V)
 No. 2A-2, Tingkat Kenari 5, Desa Ria, Sungai Ara, 11900 Bayan Lepas, Penang, Malaysia.
 Tel : +604-646 8428 Fax : +604-646 3428
 Email : sales@tms-lite.com | support@tms-lite.com



F-DLR4-45-130-1-RGBW-24V

Lighting Dimension



Mechanical Information	
Casing Material	Aluminium
Storage Temperature Range	0 - 45 °C
Storage Humidity Range	20 - 85 %
Weight	NA g
Length / Outer Diameter	131.5 mm
Width / Inner Diameter	76 mm
Thickness / Height	26 mm



TMS LITE SDN BHD
 (Company Registration No : 200401033463 / 671971-V)
 No. 2A-2, Tingkat Kenari 5, Desa Ria, Sungai Ara, 11900 Bayan Lepas, Penang, Malaysia.
 Tel : +604-646 8428 Fax : +604-646 3428
 Email : sales@tms-lite.com | support@tms-lite.com



F-DLR4-45-130-1-RGBW-24V

Lighting Information										
Part Number	F-DLR4-45-130-1-RGBW-24V									
LED Color	Red									
Wavelength	630									
Working Distance	NA	NA	NA	NA	NA					
Intensity (±15%)	NA lx	NA lx	NA lx	NA lx	NA lx					
LED Color	Green									
Wavelength	525									
Working Distance	NA	NA	NA	NA	NA					
Intensity (±15%)	NA lx	NA lx	NA lx	NA lx	NA lx					
LED Color	Blue									
Wavelength	470									
Working Distance	NA	NA	NA	NA	NA					
Intensity (±15%)	NA lx	NA lx	NA lx	NA lx	NA lx					
LED Color	White									
Wavelength	refer to chromaticity table									
Working Distance	NA	NA	NA	NA	NA					
Intensity (±15%)	NA lx	NA lx	NA lx	NA lx	NA lx					
Illumination (number of row)	X									
Illumination Active Area	Active Length / Outer Dia.	NA								
	Active Width / Inner Dia.	NA								
Emission angle	NA									
Eye Safety Class (IEC62471)	EXEMPT									
Chromaticity Table For White colour only	X	0.296	0.287	0.307	0.311	X	0.311	0.307	0.33	0.33
	Y	0.276	0.295	0.315	0.294	Y	0.294	0.315	0.339	0.318



TMS LITE SDN BHD
 (Company Registration No : 200401033463 / 671971-V)
 No. 2A-2, Tingkat Kenari 5, Desa Ria, Sungai Ara, 11900 Bayan Lepas, Penang, Malaysia.
 Tel : +604-646 8428 Fax : +604-646 3428
 Email : sales@tms-lite.com | support@tms-lite.com



F-DLR4-45-130-1-RGBW-24V

Electrical Information	
LED Color	Red
Rated Constant Voltage	NA V \pm 2%
Rated Constant Current	Min: NA mA Max:
Power Consumption	Min: NA W Max:
LED Color	Green
Rated Constant Voltage	NA V \pm 2%
Rated Constant Current	Min: NA mA Max:
Power Consumption	Min: NA W Max:
LED Color	Blue
Rated Constant Voltage	NA V \pm 2%
Rated Constant Current	Min: NA mA Max:
Power Consumption	Min: NA W Max:
LED Color	White
Rated Constant Voltage	NA V \pm 2%
Rated Constant Current	Min: NA mA Max:
Power Consumption	Min: NA W Max:
Casing temperature, After 60 minutes operation	NA
Max. continuous current of RED, GREEN & BLUE LEDs on at the same time	*It is not recommended to turn on Red, Green and Blue colour at the same time. Refer to Maximum Simultaneous Current Output section in the last page for maximum current that can be supplied for each colour. Failure in following this may results in damaging the lighting.



TMS LITE SDN BHD
 (Company Registration No : 200401033463 / 671971-V)
 No. 2A-2, Tingkat Kenari 5, Desa Ria, Sungai Ara, 11900 Bayan Lepas, Penang, Malaysia.
 Tel : +604-646 8428 Fax : +604-646 3428
 Email : sales@tms-lite.com | support@tms-lite.com



F-DLR4-45-130-1-RGBW-24V

Strobe Mode Specification	
**Normal Strobe Voltage	24 V
LED Color	Red
**Normal Strobe Current	Min: NA mA Max: NA mA
Overdrive Voltage Range	Min: NA V Max: NA V
Overdrive Current Range	Min: NA A Max: NA A
LED Color	Green
**Normal Strobe Current	Min: NA mA Max: NA mA
Overdrive Voltage Range	Min: NA V Max: NA V
Overdrive Current Range	Min: NA A Max: NA A
LED Color	Blue
**Normal Strobe Current	Min: NA mA Max: NA mA
Overdrive Voltage Range	Min: NA V Max: NA V
Overdrive Current Range	Min: NA A Max: NA A
LED Color	White
**Normal Strobe Current	Min: NA mA Max: NA mA
Overdrive Voltage Range	Min: NA V Max: NA V
Overdrive Current Range	Min: NA A Max: NA A
Max. pulse current of RED, GREEN & BLUE LEDs on at the same time	*It is not recommended to turn on Red, Green and Blue colour at the same time. Refer to Maximum Simultaneous Current Output section in the last page for maximum current that can be supplied for each colour. Failure in following this may results in damaging the lighting.
Recommended Overdrive Voltage	
***Max. Trigger Pulse Duration	10
***Max. Duty Cycle	10%

Overdrive Specification	
LED Color	Red
Overdrive Voltage Range	Min : V - Max :V
*Max. Overdrive Current	mA
LED Color	Green
Overdrive Voltage Range	Min : V - Max : V
*Max. Overdrive Current	mA
LED Color	Blue
Overdrive Voltage Range	Min : V - Max :V
*Max. Overdrive Current	mA
LED Color	White
Overdrive Voltage Range	Min : V - Max :V
*Max. Overdrive Current	mA
Recommended Overdrive Voltage	
**Max. Trigger Pulse Duration	10mS
**Max. Duty Cycle	10%
Remark	"DO NOT" turn on Red, Green and Blue colour at the same time, only light "ON" on color or Sum of all color Red, Green, Blue should not exceed an intensity 100%


- Note :** Normal strobe means the lighting is operated using the rated power. Overdrive means the power supplied to the lighting exceeded the rated
- * Lighting maximum overdrive current, failure following this results in damaging the lighting. If customer using the 12V overdrive voltages, please setting the controller output current to 700mA (Max).
 - **Overdrive condition must not exceed the max. trigger pulse duration and max. duty cycle. Failure in following this may results in damaging the lighting.



TMS LITE SDN BHD
 (Company Registration No : 200401033463 / 671971-V)
 No. 2A-2, Tingkat Kenari 5, Desa Ria, Sungai Ara, 11900 Bayan Lepas, Penang, Malaysia.
 Tel : +604-646 8428 Fax : +604-646 3428
 Email : sales@tms-lite.com | support@tms-lite.com



F-DLR4-45-130-1-RGBW-24V

Connection Information			
Connector Type (Default)	JST SMR-03V		
Cable Length	50 CM		
Pin Configuration	Pin	Signal	Cable Colour
	1	-	-
	2	LED +	Red
	3	LED -	White
	4		
	5		
			

Additional Information	
Additional Cooling Method	Attached to machine part for better heat dissipation
Intensity Controller Selection	SD,ST,ANG,LC,SDP Series
CE Conformity	Yes
RoHS Compliance	Yes
Reach	No
BIS	No
UKCA	No

Application	
Illumination Type	
Application Use	



TMS LITE SDN BHD
 (Company Registration No : 200401033463 / 671971-V)
 No. 2A-2, Tingkat Kenari 5, Desa Ria, Sungai Ara, 11900 Bayan Lepas, Penang, Malaysia.
 Tel : +604-646 8428 Fax : +604-646 3428
 Email : sales@tms-lite.com | support@tms-lite.com



F-DLR4-45-130-1-RGBW-24V

Lighting Pattern																																													
LED Color	Red																																												
Working Distance	NA																																												
Display and Image	NA																																												
Data Results	<table border="1"> <thead> <tr> <th>Horizontal</th> <th>Meas.(mm)</th> <th>Vertical</th> <th>Meas.(mm)</th> </tr> </thead> <tbody> <tr><td>90%</td><td>NA</td><td>90%</td><td>NA</td></tr> <tr><td>80%</td><td>NA</td><td>80%</td><td>NA</td></tr> <tr><td>70%</td><td>NA</td><td>70%</td><td>NA</td></tr> <tr><td>60%</td><td>NA</td><td>60%</td><td>NA</td></tr> <tr><td>50%</td><td>NA</td><td>50%</td><td>NA</td></tr> <tr><td>40%</td><td>NA</td><td>40%</td><td>NA</td></tr> <tr><td>30%</td><td>NA</td><td>30%</td><td>NA</td></tr> <tr><td>20%</td><td>NA</td><td>20%</td><td>NA</td></tr> <tr><td>10%</td><td>NA</td><td>10%</td><td>NA</td></tr> </tbody> </table> <table border="1"> <thead> <tr> <th>Max</th> <th>Meas.(cd/m2)</th> </tr> </thead> <tbody> <tr> <td></td> <td>NA</td> </tr> </tbody> </table>	Horizontal	Meas.(mm)	Vertical	Meas.(mm)	90%	NA	90%	NA	80%	NA	80%	NA	70%	NA	70%	NA	60%	NA	60%	NA	50%	NA	50%	NA	40%	NA	40%	NA	30%	NA	30%	NA	20%	NA	20%	NA	10%	NA	10%	NA	Max	Meas.(cd/m2)		NA
Horizontal	Meas.(mm)	Vertical	Meas.(mm)																																										
90%	NA	90%	NA																																										
80%	NA	80%	NA																																										
70%	NA	70%	NA																																										
60%	NA	60%	NA																																										
50%	NA	50%	NA																																										
40%	NA	40%	NA																																										
30%	NA	30%	NA																																										
20%	NA	20%	NA																																										
10%	NA	10%	NA																																										
Max	Meas.(cd/m2)																																												
	NA																																												
LED Color	Green																																												
Working Distance	NA																																												
Display and Image	NA																																												
Data Results	<table border="1"> <thead> <tr> <th>Horizontal</th> <th>Meas.(mm)</th> <th>Vertical</th> <th>Meas.(mm)</th> </tr> </thead> <tbody> <tr><td>90%</td><td>NA</td><td>90%</td><td>NA</td></tr> <tr><td>80%</td><td>NA</td><td>80%</td><td>NA</td></tr> <tr><td>70%</td><td>NA</td><td>70%</td><td>NA</td></tr> <tr><td>60%</td><td>NA</td><td>60%</td><td>NA</td></tr> <tr><td>50%</td><td>NA</td><td>50%</td><td>NA</td></tr> <tr><td>40%</td><td>NA</td><td>40%</td><td>NA</td></tr> <tr><td>30%</td><td>NA</td><td>30%</td><td>NA</td></tr> <tr><td>20%</td><td>NA</td><td>20%</td><td>NA</td></tr> <tr><td>10%</td><td>NA</td><td>10%</td><td>NA</td></tr> </tbody> </table> <table border="1"> <thead> <tr> <th>Max</th> <th>Meas.(cd/m2)</th> </tr> </thead> <tbody> <tr> <td></td> <td>NA</td> </tr> </tbody> </table>	Horizontal	Meas.(mm)	Vertical	Meas.(mm)	90%	NA	90%	NA	80%	NA	80%	NA	70%	NA	70%	NA	60%	NA	60%	NA	50%	NA	50%	NA	40%	NA	40%	NA	30%	NA	30%	NA	20%	NA	20%	NA	10%	NA	10%	NA	Max	Meas.(cd/m2)		NA
Horizontal	Meas.(mm)	Vertical	Meas.(mm)																																										
90%	NA	90%	NA																																										
80%	NA	80%	NA																																										
70%	NA	70%	NA																																										
60%	NA	60%	NA																																										
50%	NA	50%	NA																																										
40%	NA	40%	NA																																										
30%	NA	30%	NA																																										
20%	NA	20%	NA																																										
10%	NA	10%	NA																																										
Max	Meas.(cd/m2)																																												
	NA																																												



TMS LITE SDN BHD
 (Company Registration No : 200401033463 / 671971-V)
 No. 2A-2, Tingkat Kenari 5, Desa Ria, Sungai Ara, 11900 Bayan Lepas, Penang, Malaysia.
 Tel : +604-646 8428 Fax : +604-646 3428
 Email : sales@tms-lite.com | support@tms-lite.com



F-DLR4-45-130-1-RGBW-24V

LED Color	Blue																																											
Working Distance	NA																																											
Display and Image	NA																																											
Data Results	<table border="1"> <thead> <tr> <th>Horizontal</th> <th>Meas.(mm)</th> </tr> </thead> <tbody> <tr><td>90%</td><td>NA</td></tr> <tr><td>80%</td><td>NA</td></tr> <tr><td>70%</td><td>NA</td></tr> <tr><td>60%</td><td>NA</td></tr> <tr><td>50%</td><td>NA</td></tr> <tr><td>40%</td><td>NA</td></tr> <tr><td>30%</td><td>NA</td></tr> <tr><td>20%</td><td>NA</td></tr> <tr><td>10%</td><td>NA</td></tr> </tbody> </table>		Horizontal	Meas.(mm)	90%	NA	80%	NA	70%	NA	60%	NA	50%	NA	40%	NA	30%	NA	20%	NA	10%	NA	<table border="1"> <thead> <tr> <th>Vertical</th> <th>Meas.(mm)</th> </tr> </thead> <tbody> <tr><td>90%</td><td>NA</td></tr> <tr><td>80%</td><td>NA</td></tr> <tr><td>70%</td><td>NA</td></tr> <tr><td>60%</td><td>NA</td></tr> <tr><td>50%</td><td>NA</td></tr> <tr><td>40%</td><td>NA</td></tr> <tr><td>30%</td><td>NA</td></tr> <tr><td>20%</td><td>NA</td></tr> <tr><td>10%</td><td>NA</td></tr> </tbody> </table>		Vertical	Meas.(mm)	90%	NA	80%	NA	70%	NA	60%	NA	50%	NA	40%	NA	30%	NA	20%	NA	10%	NA
Horizontal	Meas.(mm)																																											
90%	NA																																											
80%	NA																																											
70%	NA																																											
60%	NA																																											
50%	NA																																											
40%	NA																																											
30%	NA																																											
20%	NA																																											
10%	NA																																											
Vertical	Meas.(mm)																																											
90%	NA																																											
80%	NA																																											
70%	NA																																											
60%	NA																																											
50%	NA																																											
40%	NA																																											
30%	NA																																											
20%	NA																																											
10%	NA																																											
	Max	Meas.(cd/m2)																																										
		NA																																										
LED Color	White																																											
Working Distance	NA																																											
Display and Image	NA																																											
Data Results	<table border="1"> <thead> <tr> <th>Horizontal</th> <th>Meas.(mm)</th> </tr> </thead> <tbody> <tr><td>90%</td><td>NA</td></tr> <tr><td>80%</td><td>NA</td></tr> <tr><td>70%</td><td>NA</td></tr> <tr><td>60%</td><td>NA</td></tr> <tr><td>50%</td><td>NA</td></tr> <tr><td>40%</td><td>NA</td></tr> <tr><td>30%</td><td>NA</td></tr> <tr><td>20%</td><td>NA</td></tr> <tr><td>10%</td><td>NA</td></tr> </tbody> </table>		Horizontal	Meas.(mm)	90%	NA	80%	NA	70%	NA	60%	NA	50%	NA	40%	NA	30%	NA	20%	NA	10%	NA	<table border="1"> <thead> <tr> <th>Vertical</th> <th>Meas.(mm)</th> </tr> </thead> <tbody> <tr><td>90%</td><td>NA</td></tr> <tr><td>80%</td><td>NA</td></tr> <tr><td>70%</td><td>NA</td></tr> <tr><td>60%</td><td>NA</td></tr> <tr><td>50%</td><td>NA</td></tr> <tr><td>40%</td><td>NA</td></tr> <tr><td>30%</td><td>NA</td></tr> <tr><td>20%</td><td>NA</td></tr> <tr><td>10%</td><td>NA</td></tr> </tbody> </table>		Vertical	Meas.(mm)	90%	NA	80%	NA	70%	NA	60%	NA	50%	NA	40%	NA	30%	NA	20%	NA	10%	NA
Horizontal	Meas.(mm)																																											
90%	NA																																											
80%	NA																																											
70%	NA																																											
60%	NA																																											
50%	NA																																											
40%	NA																																											
30%	NA																																											
20%	NA																																											
10%	NA																																											
Vertical	Meas.(mm)																																											
90%	NA																																											
80%	NA																																											
70%	NA																																											
60%	NA																																											
50%	NA																																											
40%	NA																																											
30%	NA																																											
20%	NA																																											
10%	NA																																											
	Max	Meas.(cd/m2)																																										
		NA																																										



VISION CONSULTANCY
MAKING THE UNSEEN VISIBLE

Thank you for downloading this document from
www.machine-vision-shop.com

If you have any questions, you need help composing the
right package for your application or do you want to order?

Feel free to contact us via e-mail at sales@vision-consultancy.nl or visit our webshop.

Our vision experts are happy to help you.



Natascha Overhof



Christian Cromptoets



VISION CONSULTANCY

Robert Schumandomein 2
6229 ES Maastricht
The Netherlands

+31 (0) 438 522 651

sales@vision-consultancy.nl

Scan me to visit
machine-vision-shop

