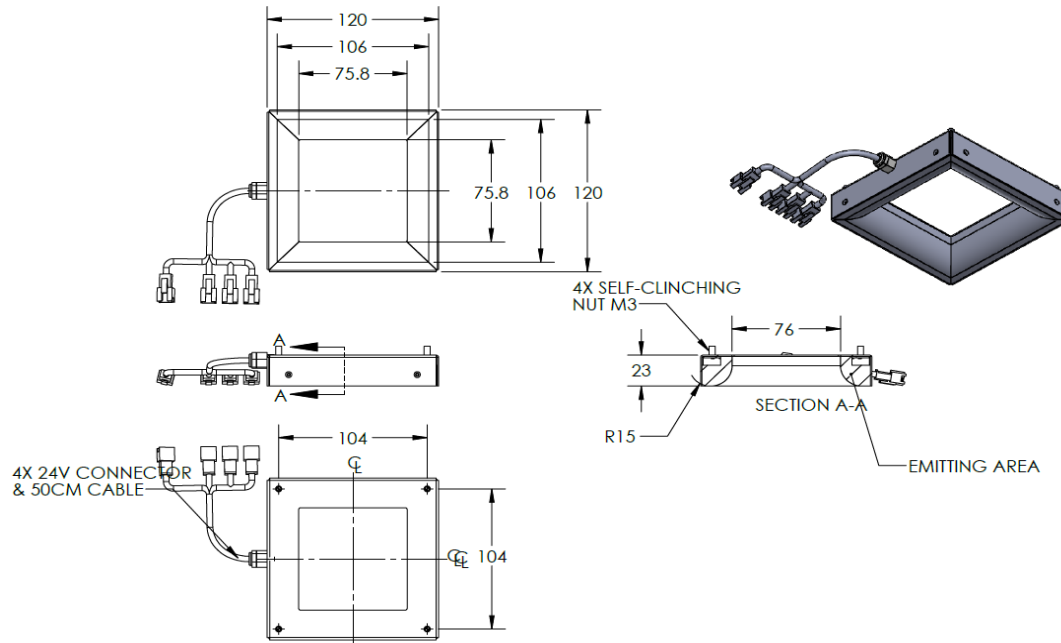




ILLUMINATOR DATA (ID)

DLC-00-120-1-RGBW-24V

Lighting Dimension



Mechanical Information	
Casing Material	Aluminium
Storage Temperature Range	0 - 45°C
Storage Humidity Range	20 - 85%
Weight	660 g
Length / Outer Diameter	120 mm
Width / Inner Diameter	120 mm
Thickness / Height	23 mm





ILLUMINATOR DATA (ID)

DLC-00-120-1-RGBW-24V

Lighting Information																																
Part Number	DLC-00-120-1-RGBW-24V																															
LED Color	RED			GREEN			BLUE			WHITE																						
Wavelength	630 nm			525 nm			470 nm			refer to chromaticity table																						
Working Distance	10 mm	15 mm	20 mm	10 mm	15 mm	20 mm	10 mm	15 mm	20 mm	10 mm	15 mm	20 mm																				
Intensity (±15%)	2960 lx	3100 lx	3350 lx	6990 lx	8460 lx	8730 lx	7940 lx	8430 lx	9290 lx	5530 lx	6170 lx	7180 lx																				
Illumination (number of row)	1																															
Illumination Active Area	Active Length / Outer Dia.						118 mm																									
	Active Width / Inner Dia.						118 mm																									
Emission angle	0																															
Eye Safety Class (IEC62471)	EXEMPT			EXEMPT			II			EXEMPT																						
Chromaticity Table	<table border="1"> <tr> <td>X</td> <td>0.296</td> <td>0.287</td> <td>0.307</td> <td>0.311</td> <td>X</td> <td>0.311</td> <td>0.307</td> <td>0.33</td> <td>0.33</td> </tr> <tr> <td>Y</td> <td>0.276</td> <td>0.295</td> <td>0.315</td> <td>0.294</td> <td>Y</td> <td>0.294</td> <td>0.315</td> <td>0.339</td> <td>0.318</td> </tr> </table>												X	0.296	0.287	0.307	0.311	X	0.311	0.307	0.33	0.33	Y	0.276	0.295	0.315	0.294	Y	0.294	0.315	0.339	0.318
X	0.296	0.287	0.307	0.311	X	0.311	0.307	0.33	0.33																							
Y	0.276	0.295	0.315	0.294	Y	0.294	0.315	0.339	0.318																							
For White colour only																																

Electrical Information				
Rated Constant Voltage	24V±2%			
Rated Constant Current	240 mA	240 mA	240 mA	240 mA
Power Consumption	5.76 W	5.76 W	5.76 W	5.76 W
Casing temperature, After 60 minutes operation	43.4 °C			
Max. continuous current of RED, GREEN & BLUE LEDs on at the same time	*It is not recommended to turn on Red, Green and Blue colour at the same time. Refer to Maximum Simultaneous Current Output section in the last page for maximum current that can be supplied for each colour. Failure in following this may results in damaging the lighting.			

Strobe Mode Specification				
**Normal Strobe Voltage	24 V			
**Normal Strobe Current	240 mA	240 mA	240 mA	240 mA
Overdrive Voltage Range	Min: 36 V Max: 48 V	Min: 36 V Max: 48 V	Min: 36 V Max: 48 V	Min: 36 V Max: 48 V
Overdrive Current Range	Min: 0.48 A Max: 0.72 A	Min: 0.56 A Max: 0.88 A	Min: 0.60 A Max: 0.95 A	Min: 0.64 A Max: 1.04 A
Max. pulse current of RED, GREEN & BLUE LEDs on at the same time	*It is not recommended to turn on Red, Green and Blue colour at the same time. Refer to Maximum Simultaneous Current Output section in the last page for maximum current that can be supplied for each colour. Failure in following this may results in damaging the lighting.			
Recommended Overdrive Voltage	36 V			
***Max. Trigger Pulse Duration	10 msec			
***Max. Duty Cycle	10%			


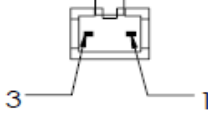
**Normal strobe means the lighting is operated using the rated power. Overdrive means the power supplied to the lighting exceeded the rated power.

***Overdrive condition must not exceed the max. trigger pulse duration and max. duty cycle. Failure in following this may results in damaging the lighting.



ILLUMINATOR DATA (ID)

DLC-00-120-1-RGBW-24V








Connection Information			
Connector Type (Default)	JST SMR-03V		
Cable Length	50 cm		
Pin Configuration 	Pin	Signal	Cable Colour
	1	LED +	Red
	2	N.C	-
	3	LED -	White
			

Additional Information	
Additional Cooling Method	Attached to machine part for better heat dissipation
Intensity Controller Selection	SD, ST, ANG, LC, SDA, SDP series
CE Conformity	YES
RoHS Compliance	YES

Application	
Illumination Type	Diffused Illumination
Application Use	Character Recognition on Shining Surface, Lead Inspection

ILLUMINATOR DATA (ID)

DLC-00-120-1-RGBW-24V

Maximum Simultaneous Current Output Information		
Colour	Current	Remarks
 SINGLE COLOUR : RED	0.24 A	TOTAL CURRENT OUTPUT : 0.24 A RECOMMENDED OVERDRIVE CURRENT : 0.72 A (36 V) ** OPTIMUM FOR SINGLE COLOUR
 SINGLE COLOUR : GREEN	0.24 A	TOTAL CURRENT OUTPUT : 0.24 A RECOMMENDED OVERDRIVE CURRENT : 0.72 A (36 V) ** OPTIMUM FOR SINGLE COLOUR
 SINGLE COLOUR : BLUE	0.24 A	TOTAL CURRENT OUTPUT : 0.24 A RECOMMENDED OVERDRIVE CURRENT : 0.72 A (36 V) ** OPTIMUM FOR SINGLE COLOUR
 COMBINE 2 COLOUR: RED & BLUE	0.24 A	TOTAL CURRENT OUTPUT : 0.24 A ****(EXAMPLE : RED = 0.12 A , BLUE = 0.12 A) ****(OVERDRIVE STROBE MODE EXAMPLE : RED = 0.36 A , BLUE = 0.36 A) FOR COMBINE COLOUR TEMPERATURE CANNOT EXCEED MORE THAN 60°C ENSURE CURRENT MUST NOT EXCEED 0.5 A
 COMBINE 2 COLOUR: RED & GREEN	0.24 A	TOTAL CURRENT OUTPUT : 0.24 A ****(EXAMPLE : RED = 0.12 A , GREEN = 0.12 A) ****(OVERDRIVE STROBE MODE EXAMPLE : RED = 0.36 A , GREEN = 0.36 A) FOR COMBINE COLOUR TEMPERATURE CANNOT EXCEED MORE THAN 60°C ENSURE CURRENT MUST NOT EXCEED 0.5 A
 COMBINE 2 COLOUR: GREEN & BLUE	0.24 A	TOTAL CURRENT OUTPUT : 0.24 A ****(EXAMPLE : GREEN = 0.12 A , BLUE = 0.12 A) ****(OVERDRIVE STROBE MODE EXAMPLE : RED = 0.36 A , BLUE = 0.36 A) FOR COMBINE COLOUR TEMPERATURE CANNOT EXCEED MORE THAN 60°C ENSURE CURRENT MUST NOT EXCEED 0.5 A
 COMBINE COLOUR: RED, GREEN & BLUE	0.24 A	TOTAL CURRENT OUTPUT : 0.24 A ****(EXAMPLE : RED = 0.08 A , GREEN = 0.08 A , BLUE = 0.08 A) ****(OVERDRIVE STROBE MODE EXAMPLE : RED = 0.24 A , GREEN = 0.24 A , BLUE = 0.24 A) FOR COMBINE COLOUR TEMPERATURE CANNOT EXCEED MORE THAN 60°C ENSURE CURRENT MUST NOT EXCEED 0.5 A



ILLUMINATOR DATA (ID)

DLC-00-120-1-RGBW-24V

Lighting Pattern																																									
Working Distance	For further details please contact us.																																								
Display and Image																																									
Data Results	<table border="1"> <thead> <tr> <th>Horizontal</th> <th>Meas.(mm)</th> <th>Vertical</th> <th>Meas.(mm)</th> </tr> </thead> <tbody> <tr><td>90%</td><td></td><td>90%</td><td></td></tr> <tr><td>80%</td><td></td><td>80%</td><td></td></tr> <tr><td>70%</td><td></td><td>70%</td><td></td></tr> <tr><td>60%</td><td></td><td>60%</td><td></td></tr> <tr><td>50%</td><td></td><td>50%</td><td></td></tr> <tr><td>40%</td><td></td><td>40%</td><td></td></tr> <tr><td>30%</td><td></td><td>30%</td><td></td></tr> <tr><td>20%</td><td></td><td>20%</td><td></td></tr> <tr><td>10%</td><td></td><td>10%</td><td></td></tr> </tbody> </table>	Horizontal	Meas.(mm)	Vertical	Meas.(mm)	90%		90%		80%		80%		70%		70%		60%		60%		50%		50%		40%		40%		30%		30%		20%		20%		10%		10%	
Horizontal	Meas.(mm)	Vertical	Meas.(mm)																																						
90%		90%																																							
80%		80%																																							
70%		70%																																							
60%		60%																																							
50%		50%																																							
40%		40%																																							
30%		30%																																							
20%		20%																																							
10%		10%																																							



VISION CONSULTANCY
MAKING THE UNSEEN VISIBLE

Thank you for downloading this document from
www.machine-vision-shop.com

If you have any questions, you need help composing the
right package for your application or do you want to order?

Feel free to contact us via e-mail at sales@vision-consultancy.nl or visit our webshop.

Our vision experts are happy to help you.



Natascha Overhof



Christian Cromptvoets



VISION CONSULTANCY

Robert Schumandomein 2
6229 ES Maastricht
The Netherlands

+31 (0) 438 522 651

sales@vision-consultancy.nl
www.machine-vision-shop.com

Scan me to visit
[machine-vision-shop](http://machine-vision-shop.com)

