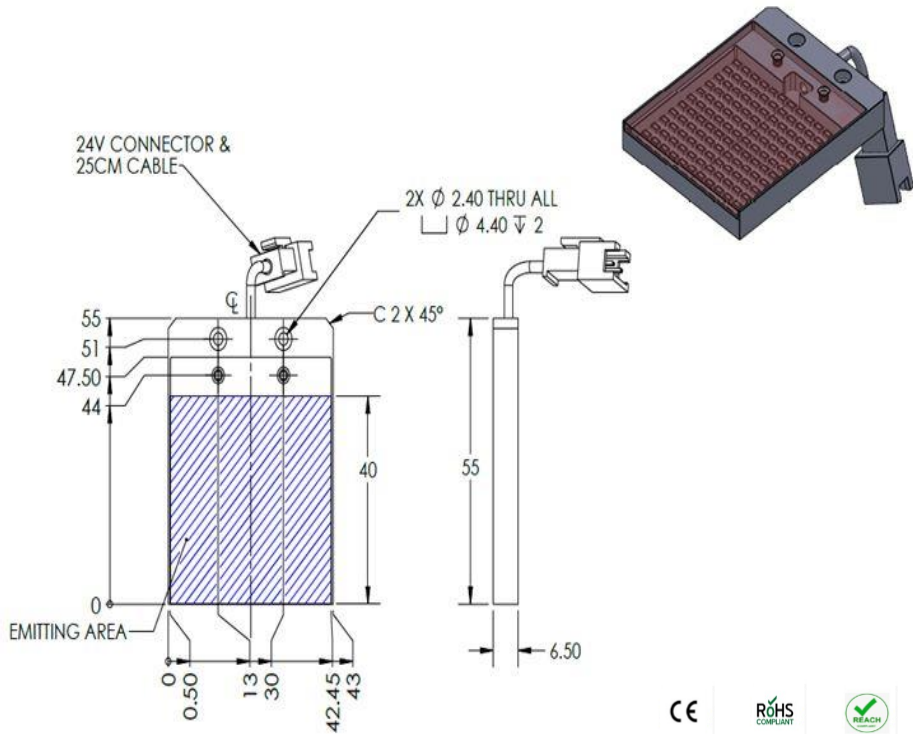


# BHDS-00-40X40-1-G-24V

## Lighting Dimension



Mechanical Information	
Casing Material	Aluminium
Storage Temperature Range	0 - 45 °C
Storage Humidity Range	20 - 85 %
Weight	32 g
Length / Outer Diameter	55 mm
Width / Inner Diameter	43 mm
Thickness / Height	6.5 mm

## BHDS-00-40X40-1-G-24V

Lighting Information	
Part Number	BHDS-00-40X40-1-G-24V
LED Color	Green
Wavelength	550nm
Working Distance	NA NA NA
Intensity (±15%)	NA lx NA lx NA lx
Illumination (number of row)	X
Illumination Active Area	Active Length / Outer Dia. 20 mm
	Active Width / Inner Dia. 20 mm
Emission angle	0
Eye Safety Class ( IEC62471 )	EXEMPT
Chromaticity Table For White colour only	

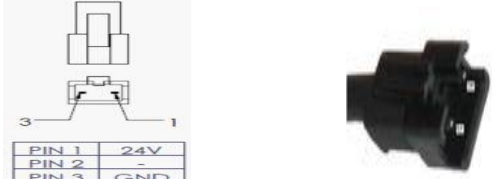
Electrical Information	
LED Color	Green
Rated Constant Voltage	24 V±2%
Rated Constant Current	Min: 40 mA Max:
Power Consumption	Min: 0.96 W Max:
Casing temperature, After 60 minutes operation	TBA

Strobe Mode Specification	
**Normal Strobe Voltage	24 V
LED Color	Green
**Normal Strobe Current	Min: NA mA Max: NA mA
Overdrive Voltage Range	Min: NA V Max: NA V
Overdrive Current Range	Min: NA A Max: NA A
Recommended Overdrive Voltage	36 V
***Max. Trigger Pulse Duration	10 msec
***Max. Duty Cycle	10 %

\*\*Normal strobe means the lighting is operated using the rated power. Overdrive means the power supplied to the lighting exceeded the rated power.

\*\*\*Overdrive condition must not exceed the max. trigger pulse duration and max. duty cycle. Failure in following this may results in damaging the lighting.

## BHDS-00-40X40-1-G-24V

Connection Information									
Connector Type (Default)	JST SMR-03V								
Cable Length	50 cm								
Pin Configuration	Pin	Signal	Cable Colour						
	1	LED+	Red						
	2	-	-						
	3	LED-	White						
	4								
	5								
 <table border="1" data-bbox="606 817 782 862"> <tr> <td>PIN 1</td> <td>24V</td> </tr> <tr> <td>PIN 2</td> <td>-</td> </tr> <tr> <td>PIN 3</td> <td>GND</td> </tr> </table>				PIN 1	24V	PIN 2	-	PIN 3	GND
PIN 1	24V								
PIN 2	-								
PIN 3	GND								

Additional Information	
Additional Cooling Method	Attached to machine part for better heat dissipation
Intensity Controller Selection	SD,ST,ANG,LC,SDA,SDP Series
CE Conformity	Yes
RoHS Compliance	Yes
Reach	Yes
BIS	No
UKCA	No

Application	
Illumination Type	BACKLIGHT ILLUMINATION
Application Use	Lead Frame Inspection,Shape Recognition,Size Measurement

# BHDS-00-40X40-1-G-24V

Lighting Pattern																																													
LED Color	Green																																												
Working Distance	NA mm																																												
Display and Image																																													
Data Results	<table border="1"> <thead> <tr> <th>Horizontal</th> <th>Meas.(mm)</th> <th>Vertical</th> <th>Meas.(mm)</th> </tr> </thead> <tbody> <tr><td>90%</td><td>NA</td><td>90%</td><td>NA</td></tr> <tr><td>80%</td><td>NA</td><td>80%</td><td>NA</td></tr> <tr><td>70%</td><td>NA</td><td>70%</td><td>NA</td></tr> <tr><td>60%</td><td>NA</td><td>60%</td><td>NA</td></tr> <tr><td>50%</td><td>NA</td><td>50%</td><td>NA</td></tr> <tr><td>40%</td><td>NA</td><td>40%</td><td>NA</td></tr> <tr><td>30%</td><td>NA</td><td>30%</td><td>NA</td></tr> <tr><td>20%</td><td>NA</td><td>20%</td><td>NA</td></tr> <tr><td>10%</td><td>NA</td><td>10%</td><td>NA</td></tr> </tbody> </table> <table border="1"> <thead> <tr> <th>Max</th> <th>Meas.(cd/m2)</th> </tr> </thead> <tbody> <tr> <td></td> <td>NA</td> </tr> </tbody> </table>	Horizontal	Meas.(mm)	Vertical	Meas.(mm)	90%	NA	90%	NA	80%	NA	80%	NA	70%	NA	70%	NA	60%	NA	60%	NA	50%	NA	50%	NA	40%	NA	40%	NA	30%	NA	30%	NA	20%	NA	20%	NA	10%	NA	10%	NA	Max	Meas.(cd/m2)		NA
Horizontal	Meas.(mm)	Vertical	Meas.(mm)																																										
90%	NA	90%	NA																																										
80%	NA	80%	NA																																										
70%	NA	70%	NA																																										
60%	NA	60%	NA																																										
50%	NA	50%	NA																																										
40%	NA	40%	NA																																										
30%	NA	30%	NA																																										
20%	NA	20%	NA																																										
10%	NA	10%	NA																																										
Max	Meas.(cd/m2)																																												
	NA																																												