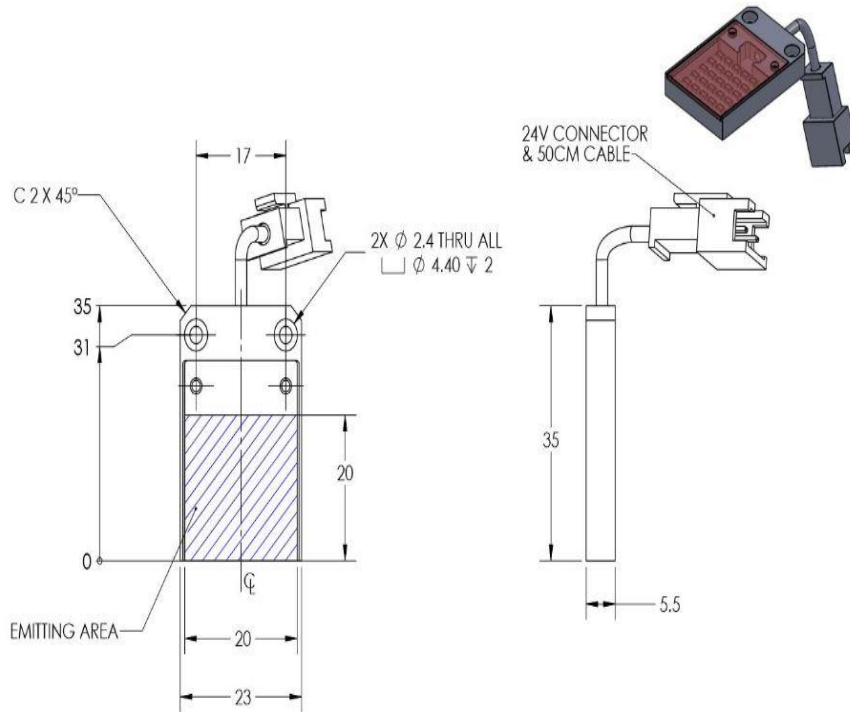


BHDS-00-20X20-1-B-24V

Lighting Dimension



Mechanical Information	
Casing Material	Aluminium
Storage Temperature Range	0 - 45 °C
Storage Humidity Range	20 - 85 %
Weight	18 g
Length / Outer Diameter	35 mm
Width / Inner Diameter	23 mm
Thickness / Height	5.5 mm

BHDS-00-20X20-1-B-24V

Lighting Information																					
Part Number	BHDS-00-20X20-1-B-24V																				
LED Color	Blue																				
Wavelength	470																				
Working Distance	NA																				
Intensity (±15%)	NA lx																				
Illumination (number of row)	X																				
Illumination Active Area	Active Length / Outer Dia. 20 mm																				
	Active Width / Inner Dia. 20 mm																				
Emission angle	0																				
Eye Safety Class (IEC62471)	EXEMPT																				
Chromaticity Table For White colour only	<table border="1"> <tbody> <tr> <td>X</td> <td>0.296</td> <td>0.287</td> <td>0.307</td> <td>0.311</td> <td>X</td> <td>0.311</td> <td>0.307</td> <td>0.33</td> <td>0.33</td> </tr> <tr> <td>Y</td> <td>0.276</td> <td>0.295</td> <td>0.315</td> <td>0.294</td> <td>Y</td> <td>0.294</td> <td>0.315</td> <td>0.339</td> <td>0.318</td> </tr> </tbody> </table>	X	0.296	0.287	0.307	0.311	X	0.311	0.307	0.33	0.33	Y	0.276	0.295	0.315	0.294	Y	0.294	0.315	0.339	0.318
X	0.296	0.287	0.307	0.311	X	0.311	0.307	0.33	0.33												
Y	0.276	0.295	0.315	0.294	Y	0.294	0.315	0.339	0.318												

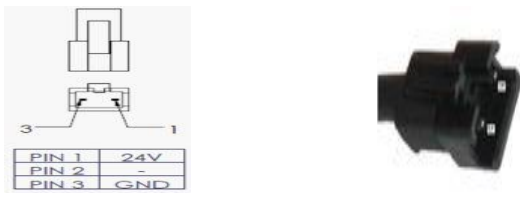

Electrical Information	
LED Color	Blue
Rated Constant Voltage	24 V±2%
Rated Constant Current	Min: 20 mA Max:
Power Consumption	Min: 0.48 W Max:
Casing temperature, After 60 minutes operation	TBA

Strobe Mode Specification	
**Normal Strobe Voltage	24 V
LED Color	Blue
**Normal Strobe Current	Min: NA mA Max: NA mA
Overdrive Voltage Range	Min: NA V Max: NA V
Overdrive Current Range	Min: NA A Max: NA A
Recommended Overdrive Voltage	36 V
***Max. Trigger Pulse Duration	10 msec
***Max. Duty Cycle	10 %

**Normal strobe means the lighting is operated using the rated power. Overdrive means the power supplied to the lighting exceeded the rated power.

***Overdrive condition must not exceed the max. trigger pulse duration and max. duty cycle. Failure in following this may results in damaging the lighting.

BHDS-00-20X20-1-B-24V

Connection Information									
Connector Type (Default)	JST SMR-03V								
Cable Length	50 cm								
Pin Configuration	Pin	Signal	Cable Colour						
	1	LED+	Red						
	2	-	-						
	3	LED-	White						
	4								
	5								
  <table border="1" data-bbox="485 837 659 882"> <tr> <td>PIN 1</td> <td>24V</td> </tr> <tr> <td>PIN 2</td> <td>-</td> </tr> <tr> <td>PIN 3</td> <td>GND</td> </tr> </table>				PIN 1	24V	PIN 2	-	PIN 3	GND
PIN 1	24V								
PIN 2	-								
PIN 3	GND								
Additional Information									
Additional Cooling Method	Attached to machine part for better heat dissipation								
Intensity Controller Selection	SD,ST,ANG,LC,SDA,SDP Series								
CE Conformity	Yes								
RoHS Compliance	Yes								
Reach	Yes								
BIS	No								
UKCA	No								
Application									
Illumination Type	BACKLIGHT ILLUMINATION								
Application Use	Lead Frame Inspection,Shape Recognition,Size Measurement								

BHDS-00-20X20-1-B-24V

Lighting Pattern																																												
LED Color	Blue																																											
Working Distance	NA mm																																											
Display and Image																																												
Data Results	<table border="1"> <thead> <tr> <th>Horizontal</th> <th>Meas.(mm)</th> <th>Vertical</th> <th>Meas.(mm)</th> </tr> </thead> <tbody> <tr><td>90%</td><td>NA</td><td>90%</td><td>NA</td></tr> <tr><td>80%</td><td>NA</td><td>80%</td><td>NA</td></tr> <tr><td>70%</td><td>NA</td><td>70%</td><td>NA</td></tr> <tr><td>60%</td><td>NA</td><td>60%</td><td>NA</td></tr> <tr><td>50%</td><td>NA</td><td>50%</td><td>NA</td></tr> <tr><td>40%</td><td>NA</td><td>40%</td><td>NA</td></tr> <tr><td>30%</td><td>NA</td><td>30%</td><td>NA</td></tr> <tr><td>20%</td><td>NA</td><td>20%</td><td>NA</td></tr> <tr><td>10%</td><td>NA</td><td>10%</td><td>NA</td></tr> </tbody> </table> <table border="1"> <tr> <td rowspan="2">Max</td> <td>Meas.(cd/m2)</td> </tr> <tr> <td>NA</td> </tr> </table>	Horizontal	Meas.(mm)	Vertical	Meas.(mm)	90%	NA	90%	NA	80%	NA	80%	NA	70%	NA	70%	NA	60%	NA	60%	NA	50%	NA	50%	NA	40%	NA	40%	NA	30%	NA	30%	NA	20%	NA	20%	NA	10%	NA	10%	NA	Max	Meas.(cd/m2)	NA
Horizontal	Meas.(mm)	Vertical	Meas.(mm)																																									
90%	NA	90%	NA																																									
80%	NA	80%	NA																																									
70%	NA	70%	NA																																									
60%	NA	60%	NA																																									
50%	NA	50%	NA																																									
40%	NA	40%	NA																																									
30%	NA	30%	NA																																									
20%	NA	20%	NA																																									
10%	NA	10%	NA																																									
Max	Meas.(cd/m2)																																											
	NA																																											