

LINE SCAN CAMERAS



The MX-E Series supports a series of grayscale line scan cameras utilizing the GigE Vision standard. These cameras are for applications that need high resolution and the object is very long or an endless web of material.

The cameras are the ideal solution for printing machines to inspect printed images such as a continuous web or the printing around a circular object.

HIGHLIGHTS

- Use with the MX-E45 and MX-E90 Industrial Vision Processors
- 2K to 8K resolution in grayscale
- High quality images sensors for speed performance
- Compact housing enables mounting in space-constrained locations
- High line rate ensures images capture at rates for high speed applications

BENEFITS

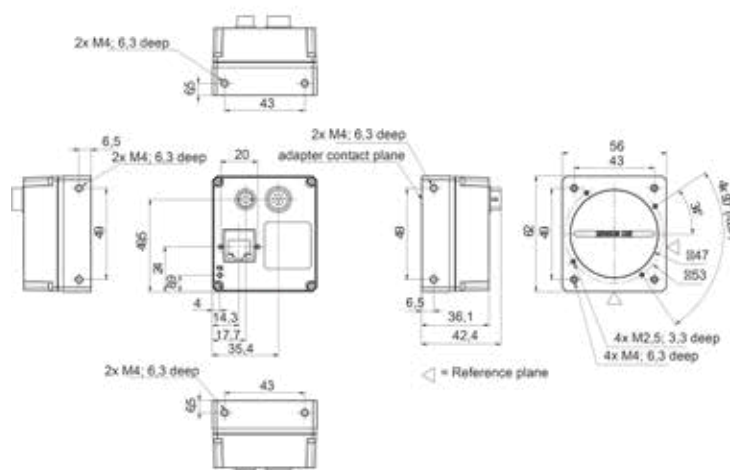
- Reduced size for minimum space requirements
- GigE vision camera interface
- Great for high-speed or high-resolution applications
- Different lens mount options to support applications needs
- IP30 rated housing
- CE, FCC and RoHS compliant

TECHNICAL DATA

LINE SCAN						
MODEL	RESOLUTION	MAX. LINE RATE	PIXEL SIZE	C-MOUNT	F-MOUNT	M42-MOUNT
M565	2048	51 KHz	7 μm x 7 μm	•	•	•
M570	4096	26 KHz	7 μm x 7 μm		•	•
M575	6144	17 KHz	7 μm x 7 μm		•	•
M580	8192	12 KHz	3.5 μm x 3.5 μm		•	•

MECHANICAL DRAWINGS

All dimensions in mm



DS-LINESCANCAMERAS Revision A 20200713

The company endeavours to continuously improve and renew its products; for this reason the technical data and contents of this catalogue may undergo variations without prior notice. For correct installation and use, the company can guarantee only the data indicated in the instruction manual supplied with the products. Product and Company names and logos referenced may be either trademarks or registered trademarks of their respective companies. We reserve the right to make modifications and improvements.



VISION CONSULTANCY
MAKING THE UNSEEN VISIBLE

Thank you for downloading this document from
www.machine-vision-shop.com

If you have any questions, you need help composing the
right package for your application or do you want to order?

Feel free to contact us via e-mail at sales@vision-consultancy.nl or visit our webshop.

Our vision experts are happy to help you.



Natascha Overhof



Christian Cromptvoets



VISION CONSULTANCY

Robert Schumandomein 2
6229 ES Maastricht
The Netherlands

+31 (0) 438 522 651

sales@vision-consultancy.nl
www.machine-vision-shop.com

Scan me to visit
[machine-vision-shop](http://machine-vision-shop.com)

