

AREA SCAN CAMERAS



The MX-E Series supports a series of grayscale and color cameras utilizing the GigE Vision standard. Thanks to their small housing, the cameras allow for easy installation in locations where space is constrained.

The cameras are the ideal solution for fast embedded vision system integration and ensures an outstanding price/performance ratio. High resolution and frame rate guarantee superior image acquisition for tackling most complex machine vision applications.

HIGHLIGHTS

- VGA to 5MP resolution, in both grayscale and color
- CMOS image sensors for high speed performance
- Power over Ethernet (PoE) guarantees minimum wiring and easy installation
- Compact housing (as small as 29 x 29 x 60 mm) enables mounting in space-constrained locations
- High Frame rates to keep up with high speed inspections
- Trigger and strobe I/O provide outstanding integration flexibility

BENEFITS

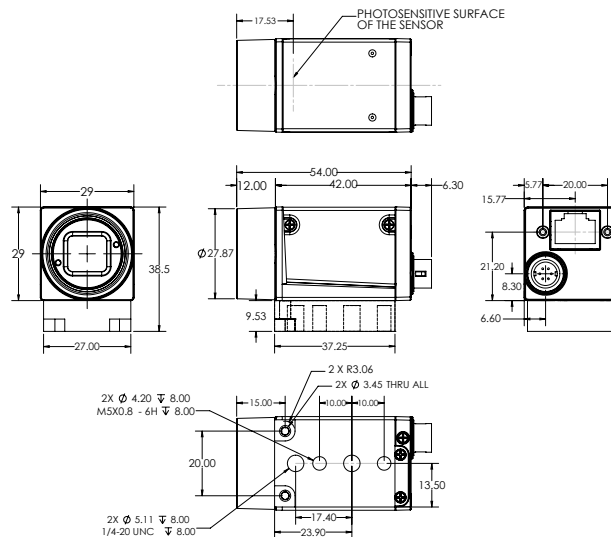
- Reduced size for minimum space requirements
- GigE vision camera interface
- High frame rate for superior image acquisition and processing
- State-of-art grayscale and color image sensors
- C-mount lens support
- IP30 rated housing
- CE, FCC, KCC and RoHS compliant

TECHNICAL DATA

GRAYSCALE MODEL	COLOR MODEL	RESOLUTION	IMAGER	SHUTTER	FRAME RATE (FPS)	PoE
E101	E101C	640 x 480	1/4" CMOS	Global	376	•
E151	E151C	1280 x 1024	1/2" CMOS	Global	88	•
E181	E181C	1920 x 1200	2/3" CMOS	Global	50	•
M197	M197C	2592 x 1944	1/2.5" CMOS	Rolling	14	•
E198	E198C	2448 x 2048	2/3" CMOS	Global	23	•

MECHANICAL DRAWINGS

All dimensions in mm





VISION CONSULTANCY
MAKING THE UNSEEN VISIBLE

Thank you for downloading this document from
www.machine-vision-shop.com

If you have any questions, you need help composing the
right package for your application or do you want to order?

Feel free to contact us via e-mail at sales@vision-consultancy.nl or visit our webshop.

Our vision experts are happy to help you.



Natascha Overhof



Christian Cromptvoets



VISION CONSULTANCY

Robert Schumandomein 2
6229 ES Maastricht
The Netherlands

+31 (0) 438 522 651

sales@vision-consultancy.nl
www.machine-vision-shop.com

Scan me to visit
[machine-vision-shop](http://machine-vision-shop.com)

